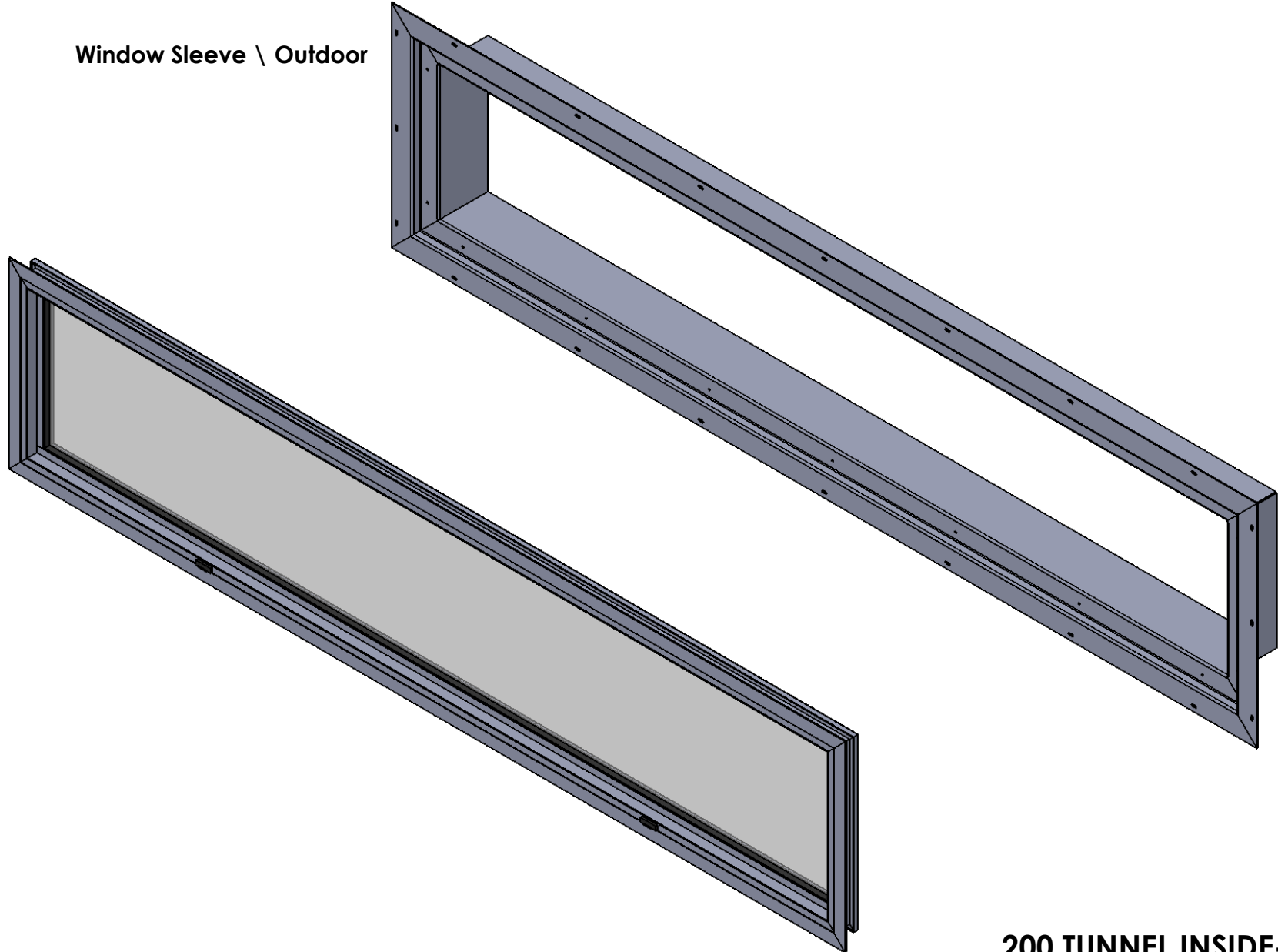


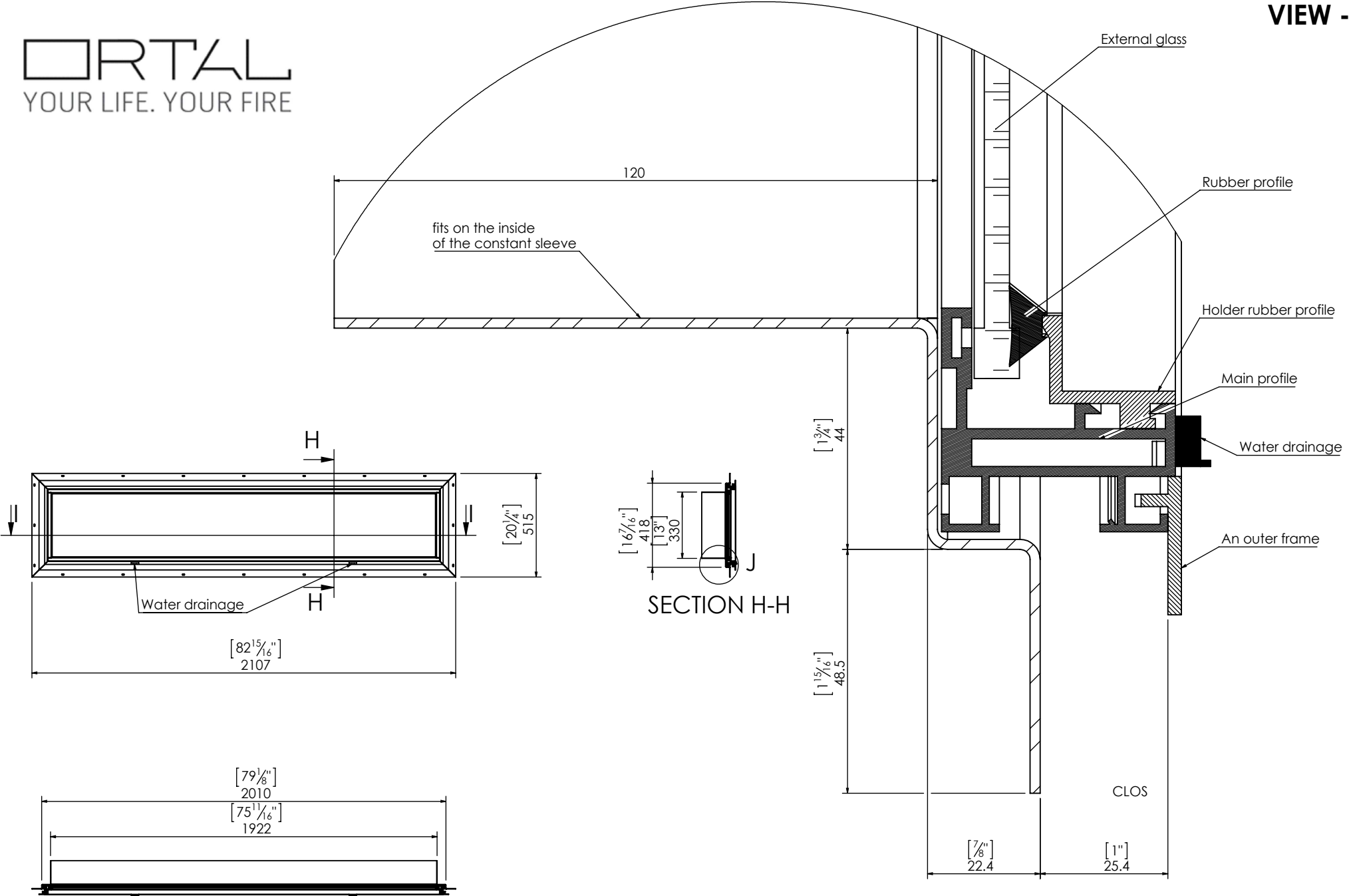
**The window and the out window
supplied connecting.**

Window Sleeve \ Outdoor

Window



200 TUNNEL INSIDE-OUTSIDE



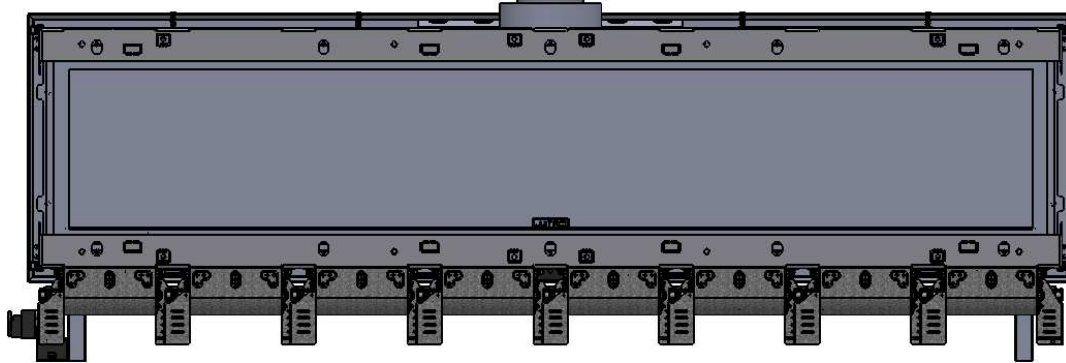
SECTION I-I

SECTION H-H

DETAIL J
SCALE 1 : 1

120 TUNNEL INSIDE-OUTSIDE

Fireplace

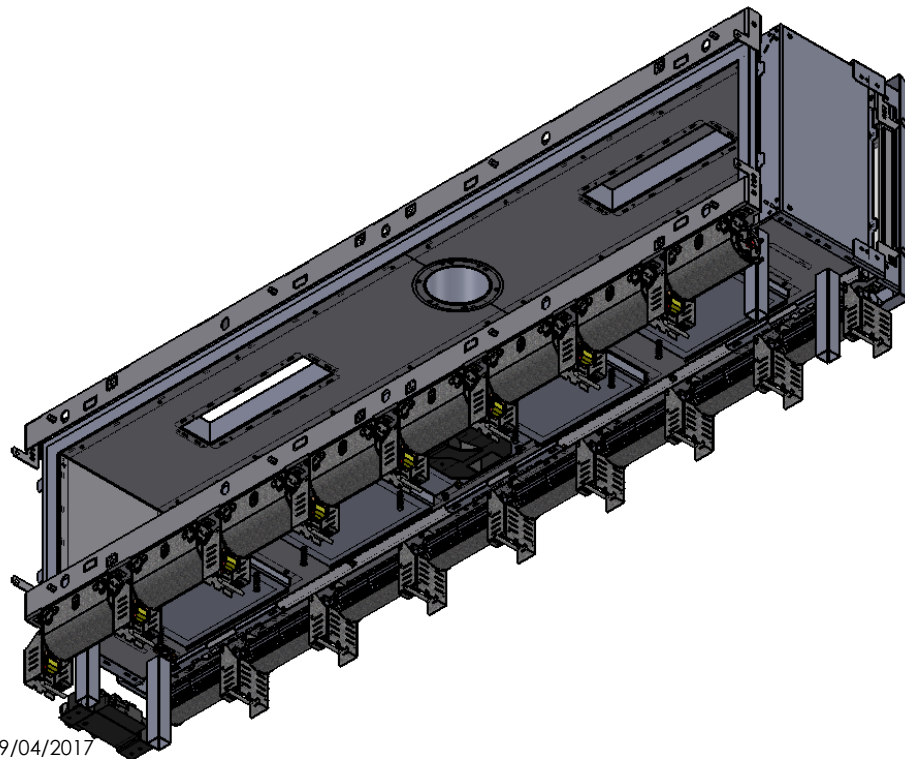
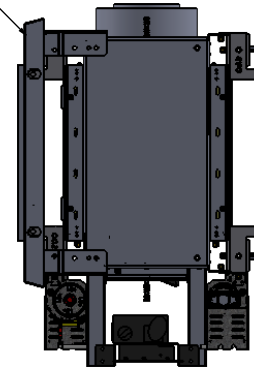


Frame

Inside house

There is no frame on the outside

Outside

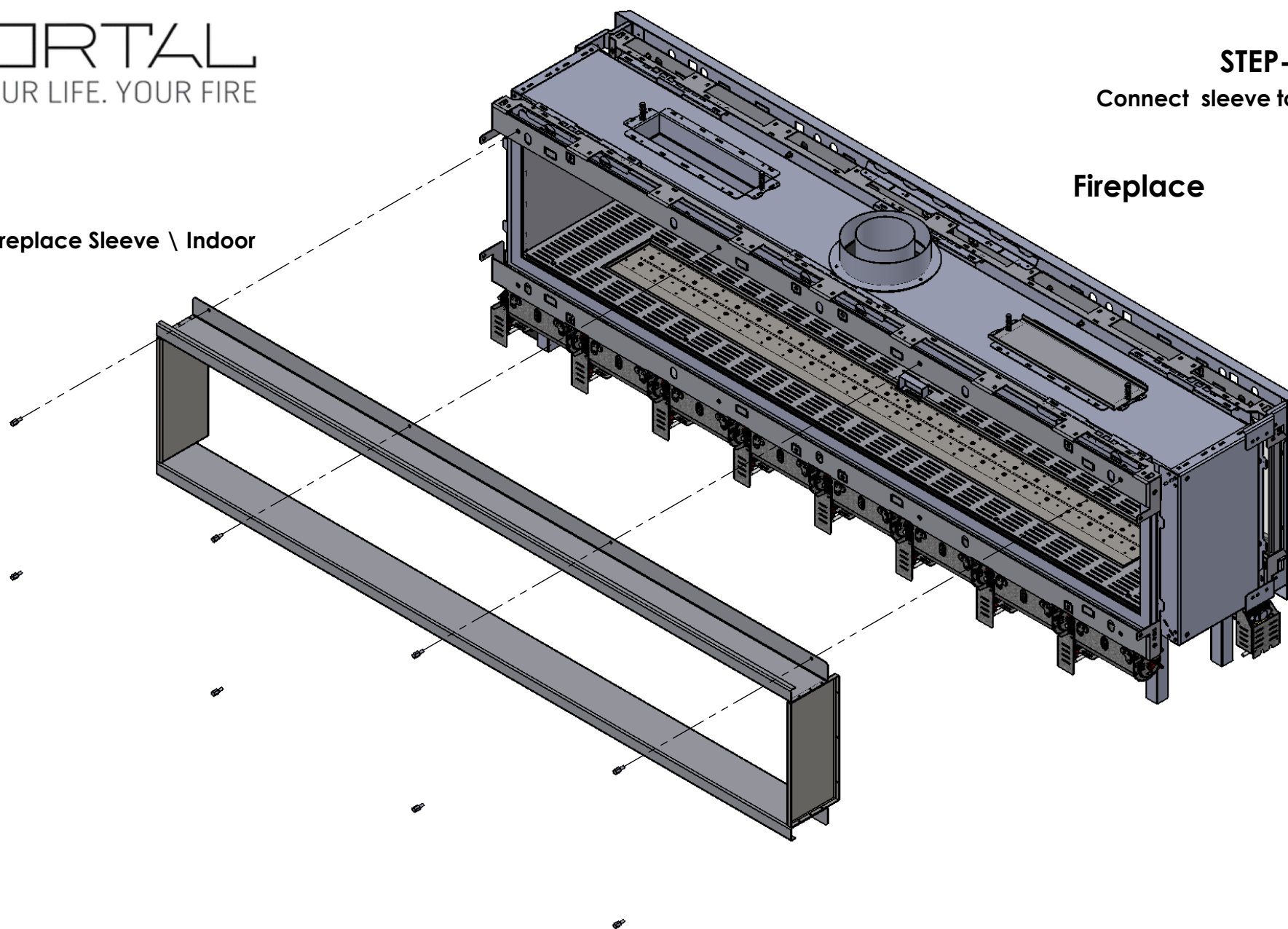


STEP-1

Connect sleeve to fireplace

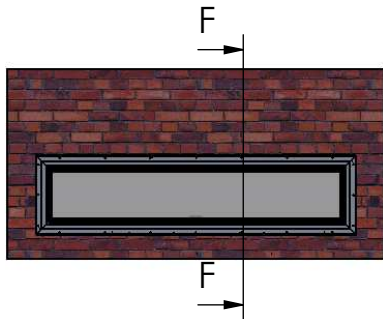
Fireplace

Fireplace Sleeve \ Indoor



**Affix indoor frame to fireplace and connect with screw
(at the place of the rail holder glass)
Before putting the fireplace in the place.**

200 TUNNEL INSIDE-OUTSIDE



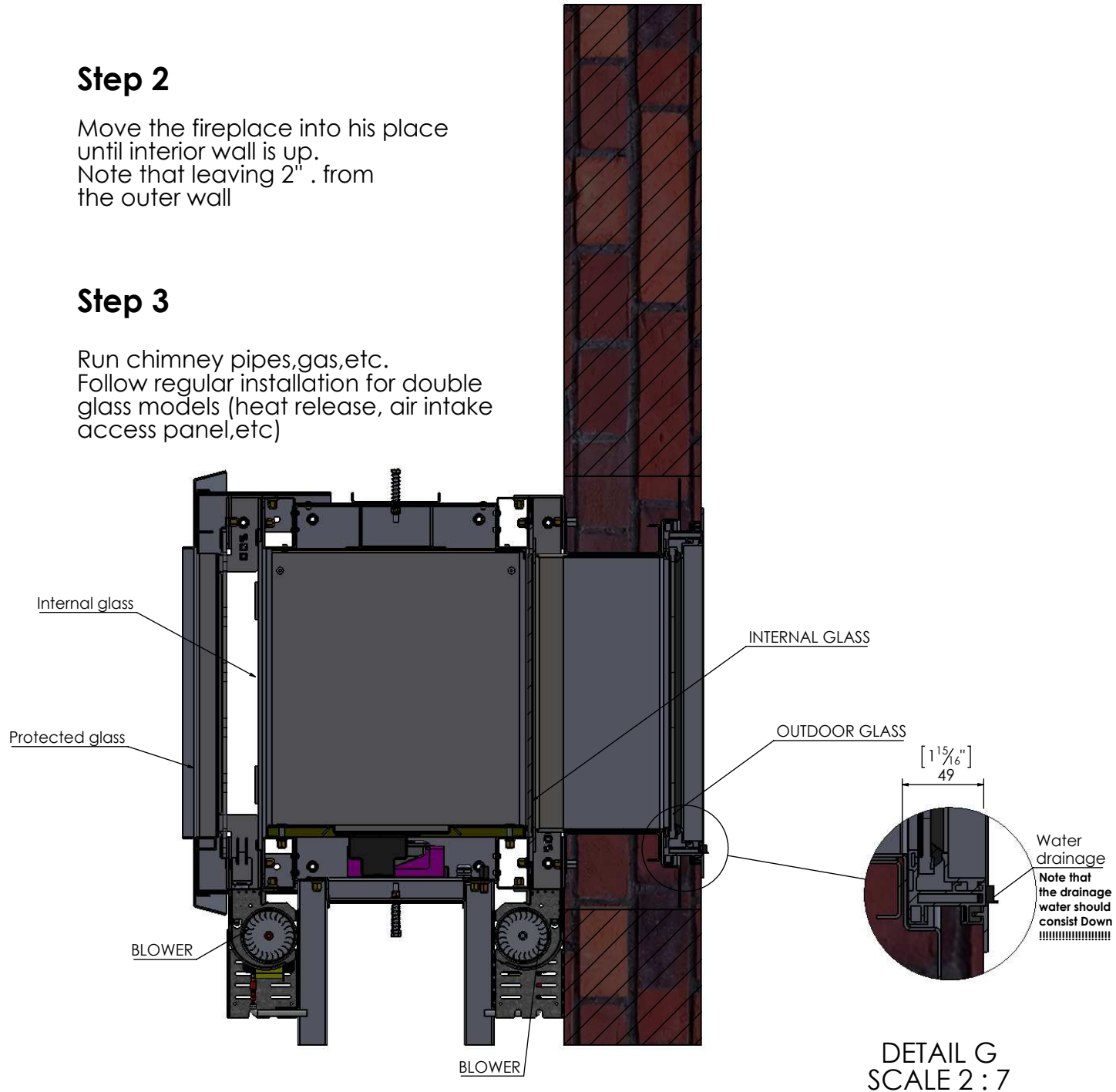
Step 2

Move the fireplace into his place until interior wall is up. Note that leaving 2" . from the outer wall

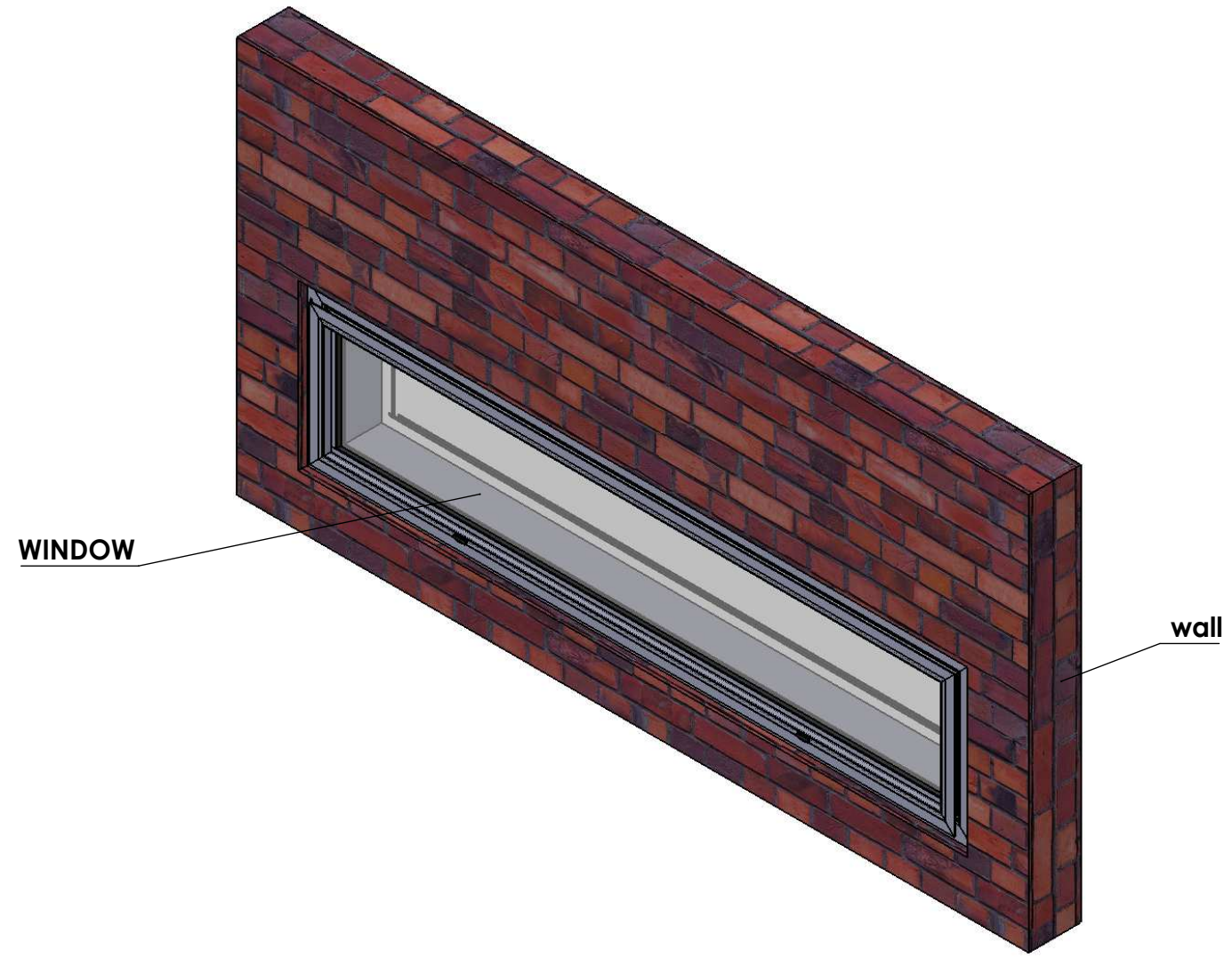
Step 3

Run chimney pipes, gas, etc. Follow regular installation for double glass models (heat release, air intake access panel, etc)

NOTE:
Internal glass of the firebox facing outside is to be removed and serviced through the interior of the firebox. All servicing is to be done from the interior of the home. Do not attempt to open/remove the window make break the seal and allow rain or other conditions to seep through and affect the firebox.



Connect window to wall



insert and connect window to wall opening. Make sure to seal window per local code to eliminate water or other elements from leaking into the home. This is to be treated as a typical installing.

19/04/2017

200 TUNNEL INSIDE-OUTSIDE