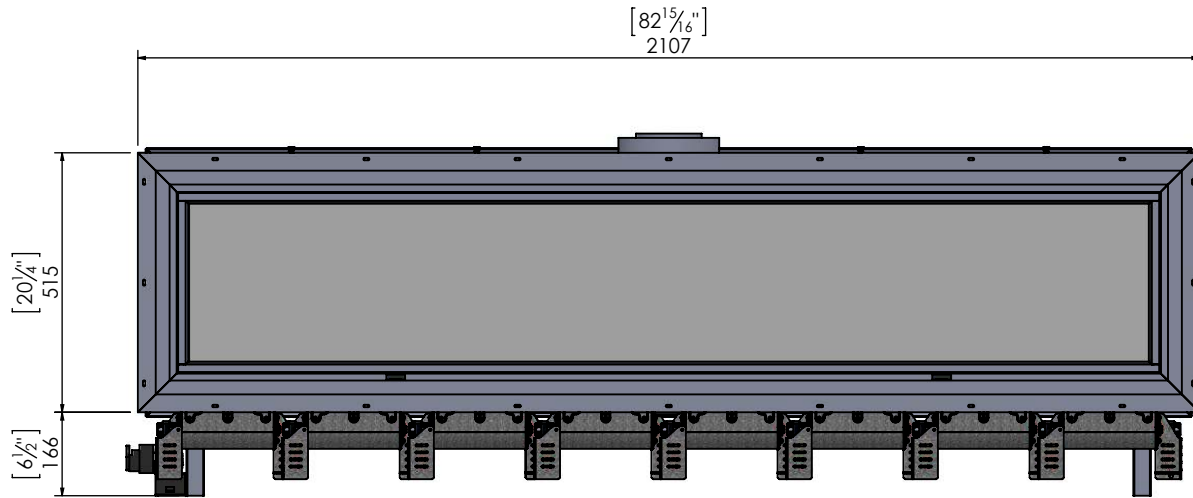


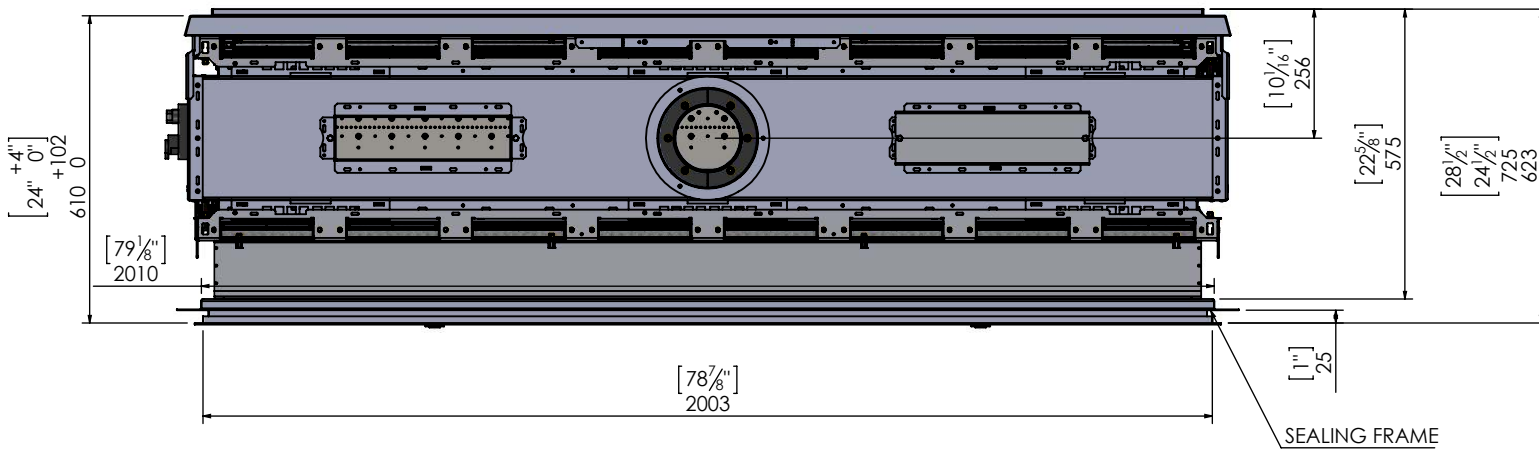
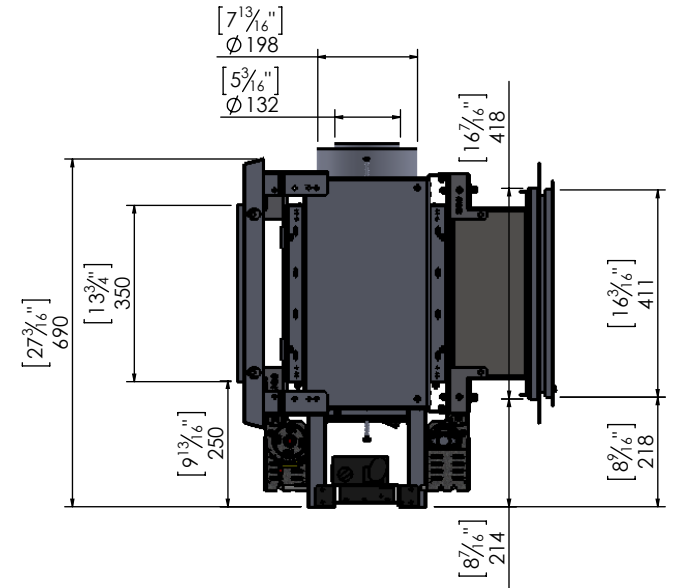
200 TUNNEL
INDOOR-OUTDOOR
Page1

OUTSIDE VIEW



IN

OUT



INSIDE VIEW

