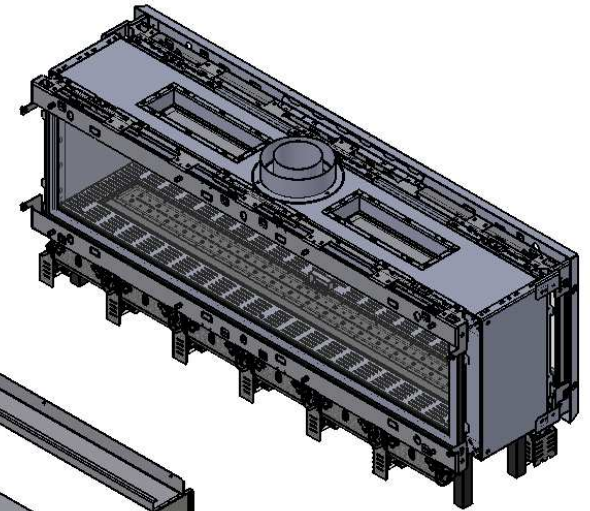
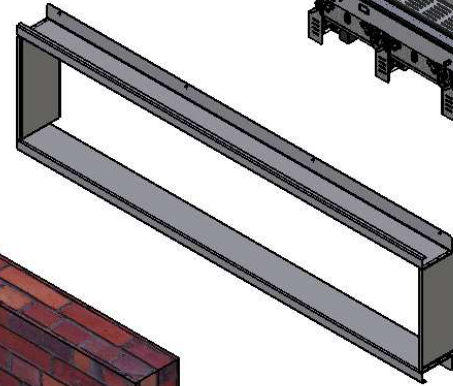


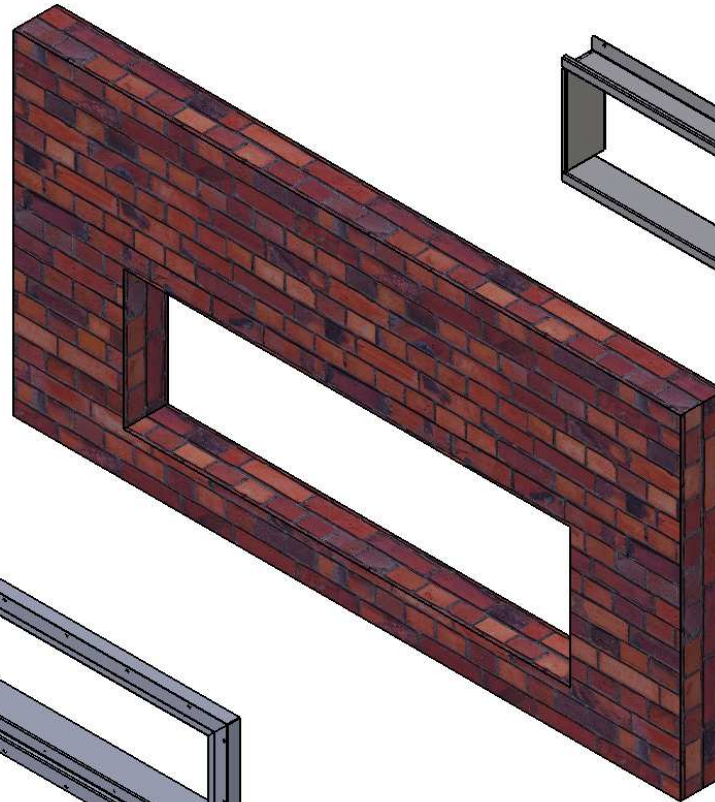
tunnel - Fireplace



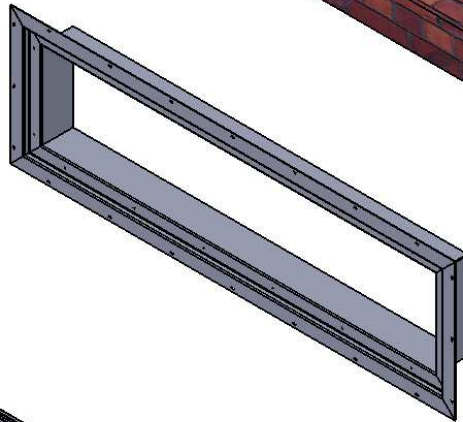
Fireplace Sleeve \ Indoor



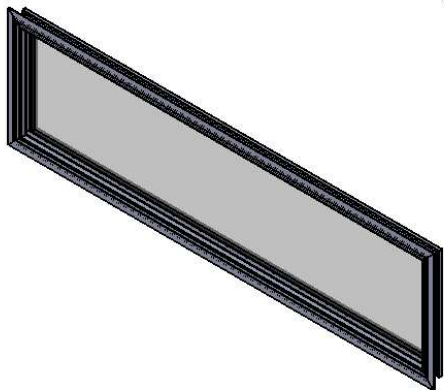
Outside wall



Window Sleeve \ Outdoor



Window

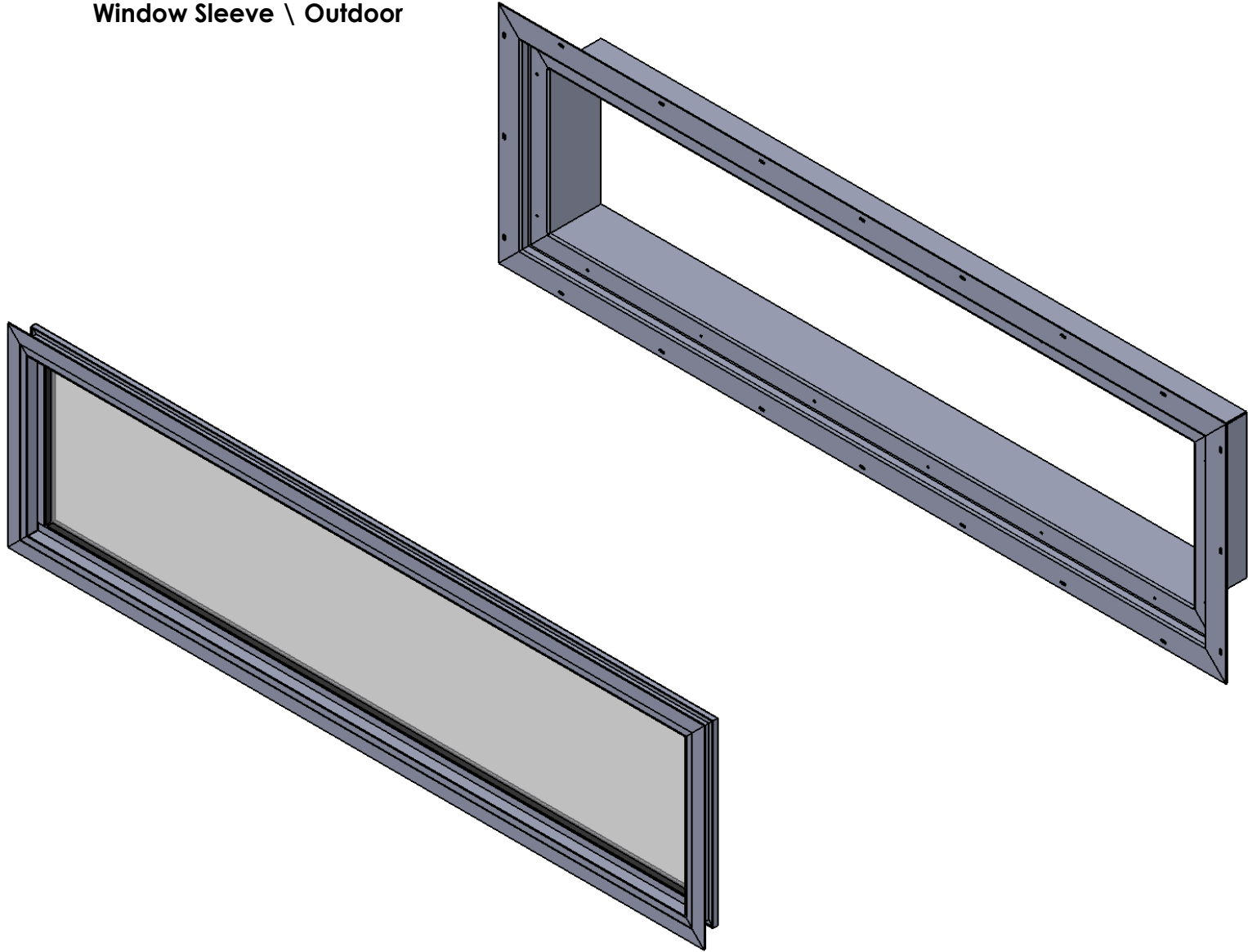


150 TUNNEL INSIDE-OUTSIDE

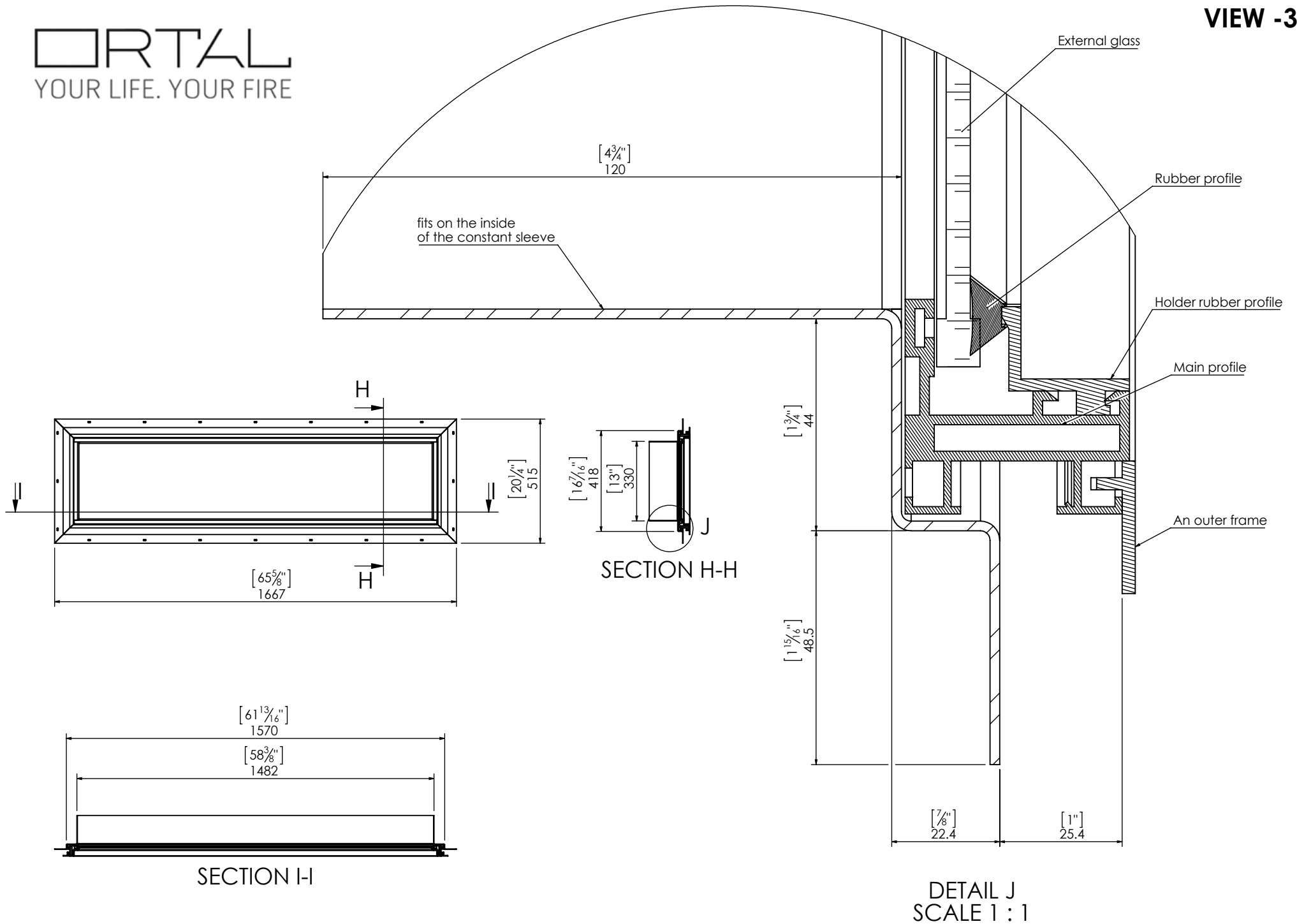
The window and the out window supplied connecting.

Window Sleeve \ Outdoor

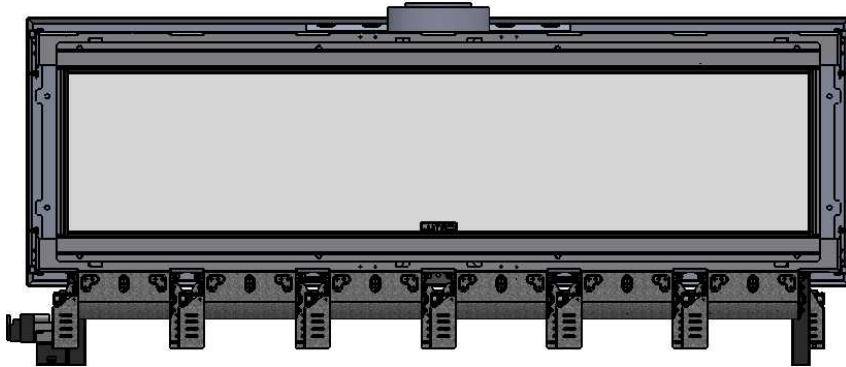
Window



150 TUNNEL INSIDE-OUTSIDE



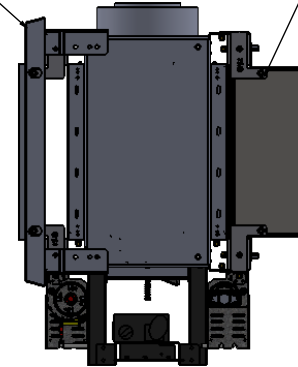
Fireplace



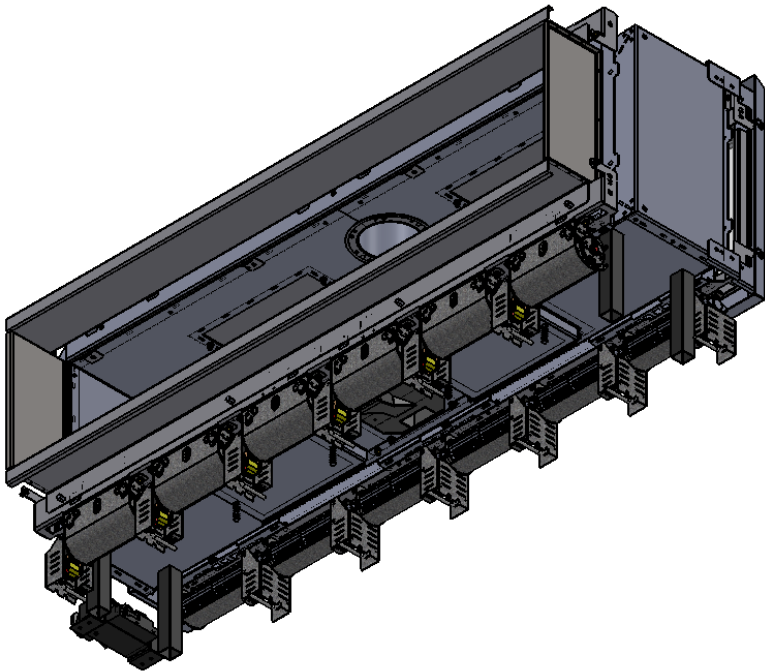
Frame

Inside house

There is no frame on the outside



Outside

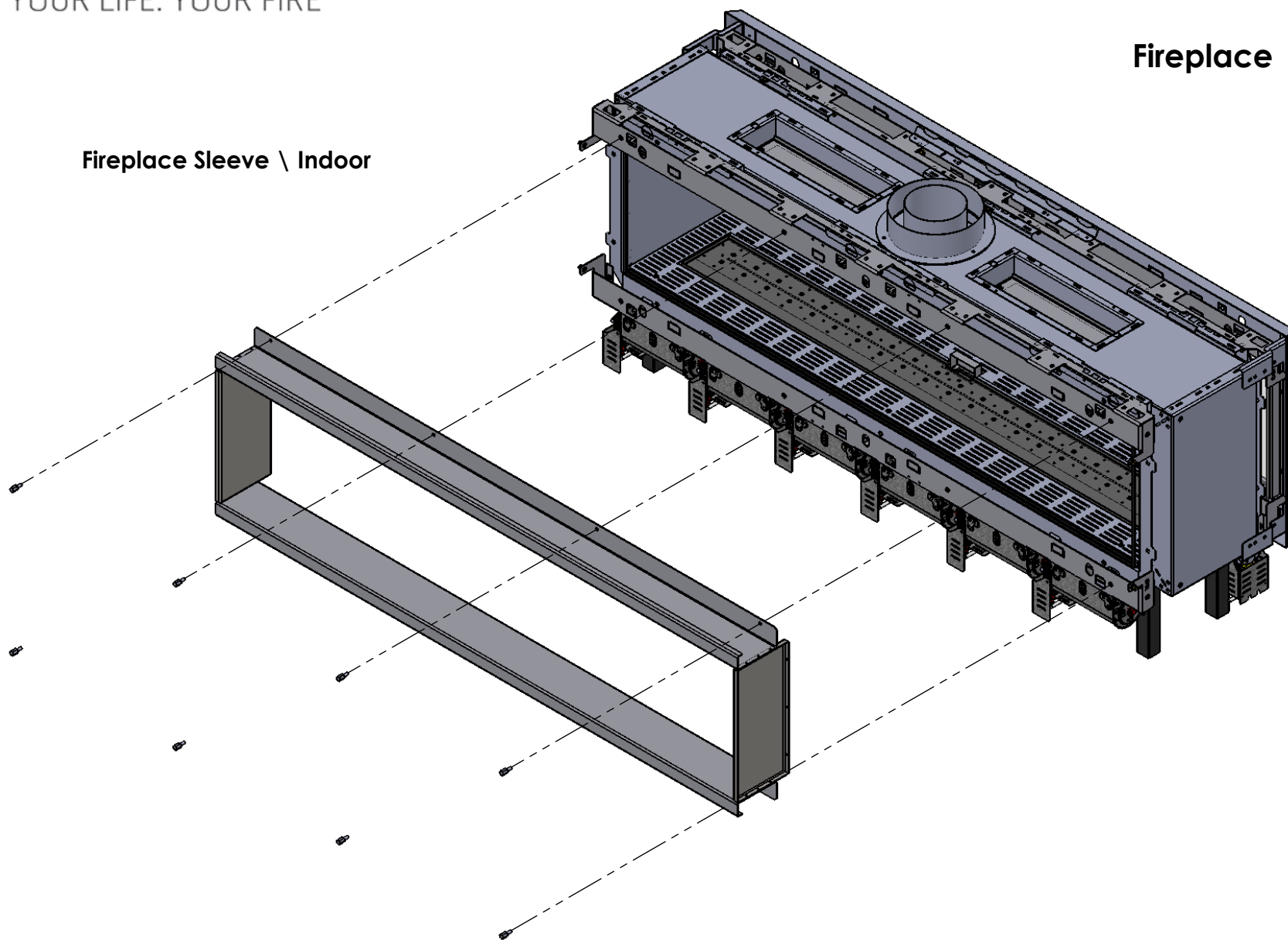


STEP-1

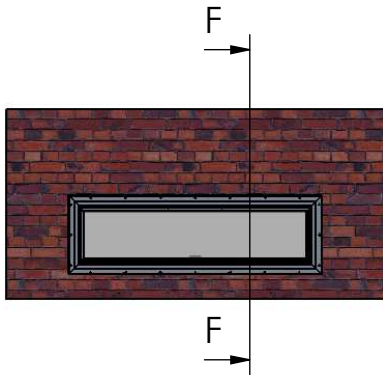
Connect sleeve to fireplace

Fireplace

Fireplace Sleeve \ Indoor



**Affix indoor frame to fireplace and connect with screw
(at the place of the rail holder glass)
Before putting the fireplace in the place.**



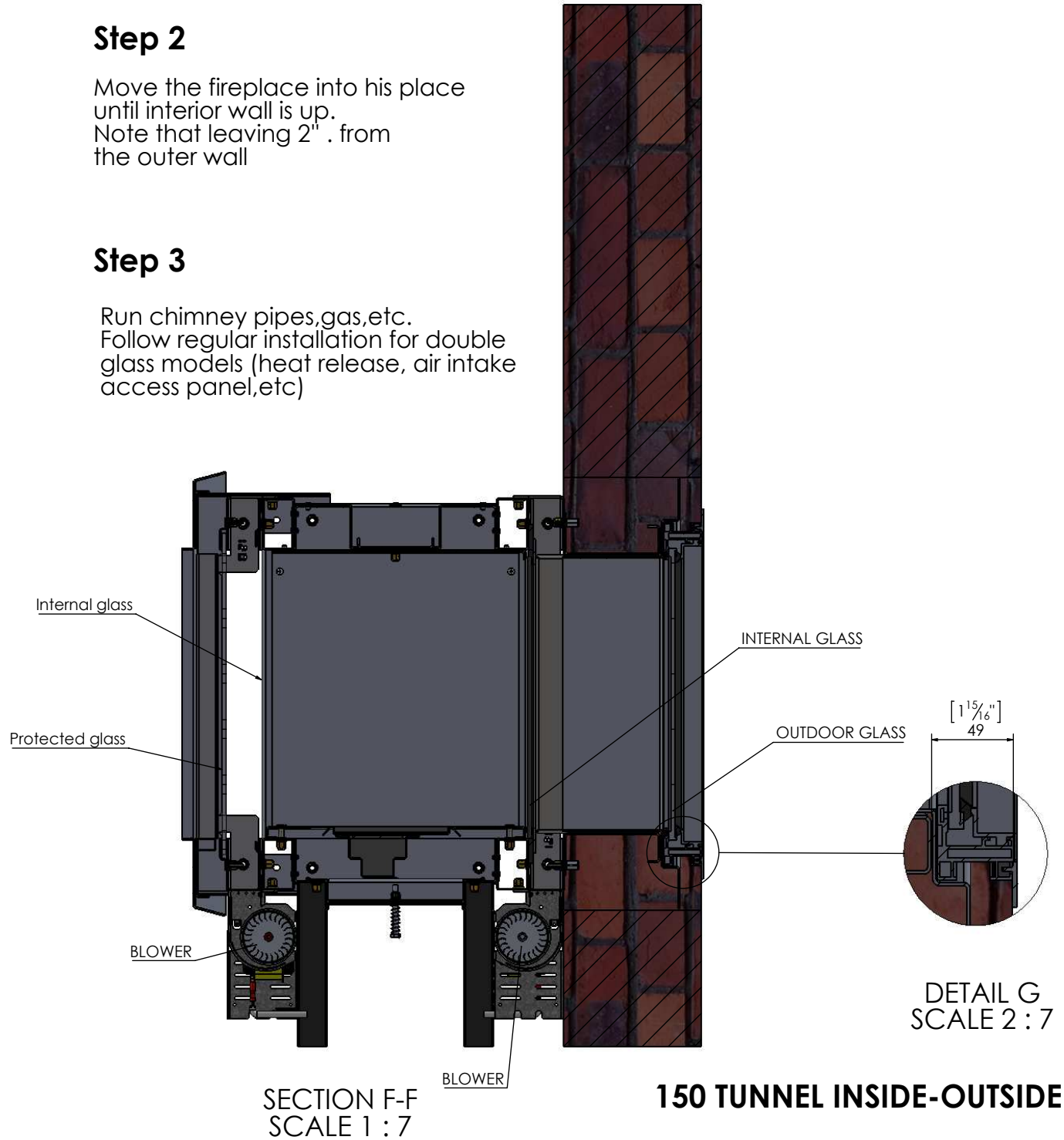
Step 2

Move the fireplace into his place until interior wall is up. Note that leaving 2" . from the outer wall

Step 3

Run chimney pipes, gas, etc. Follow regular installation for double glass models (heat release, air intake access panel, etc)

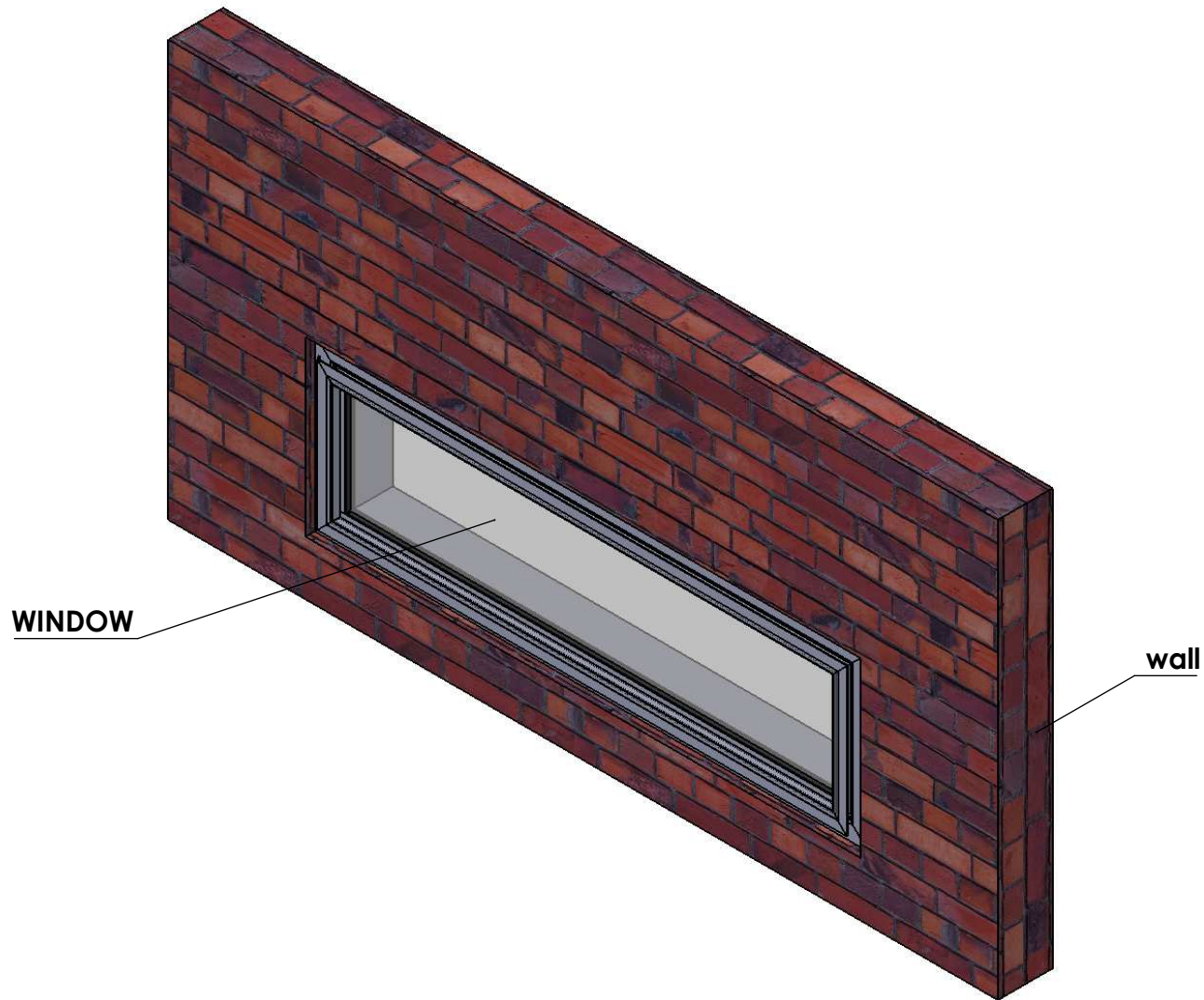
NOTE:
Internal glass of the firebox facing outside is to be removed and serviced through the interior of the firebox. All servicing is to be done from the interior of the home. Do not attempt to open/remove the window Mack break the seal and allow rain or other conditions to seep through and affect the firebox.



SECTION F-F
SCALE 1 : 7

150 TUNNEL INSIDE-OUTSIDE

Connect window to wall



insert and connect window to wall opening. Mack sure to seal window per local code to eliminate water or other elements from leaking into the home . This is to be treated as a typical install.

18/04/2017

150 TUNNEL INSIDE-OUTSIDE