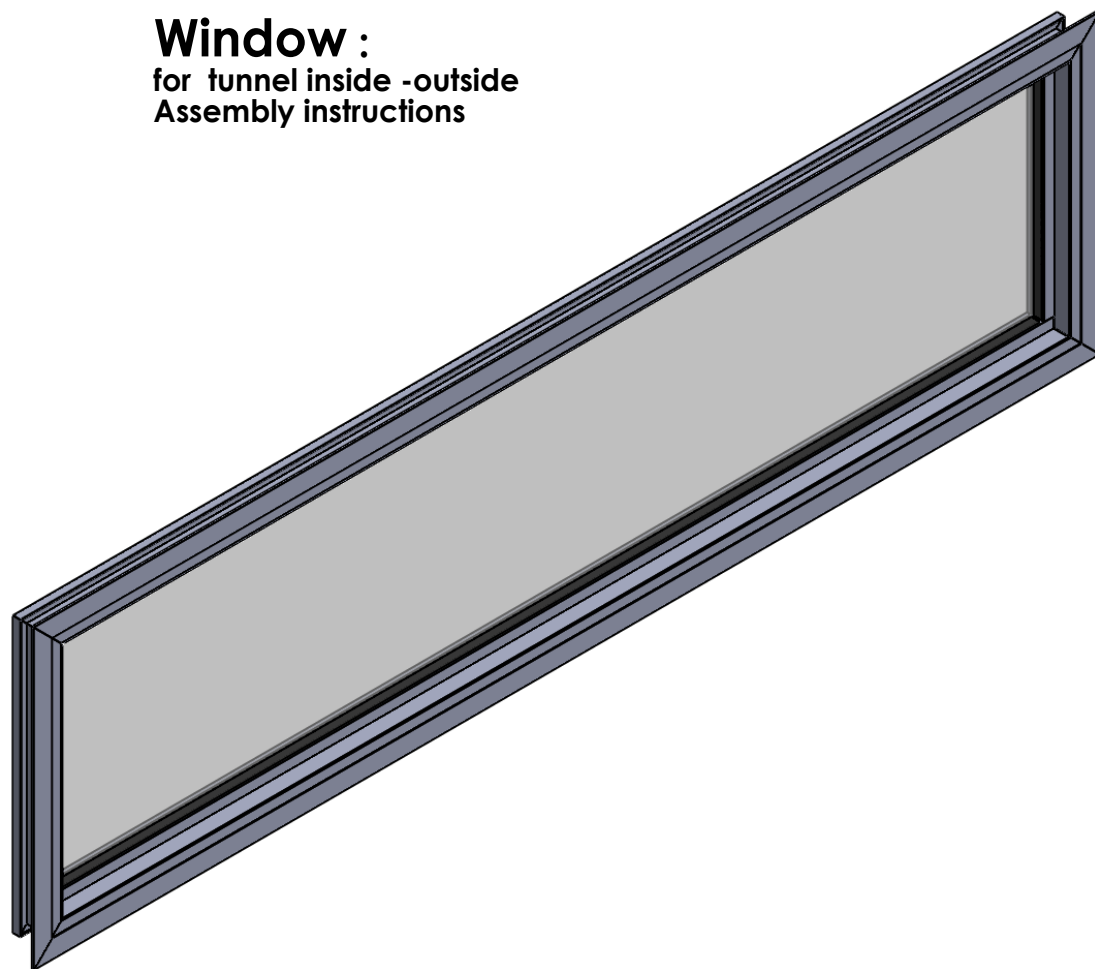
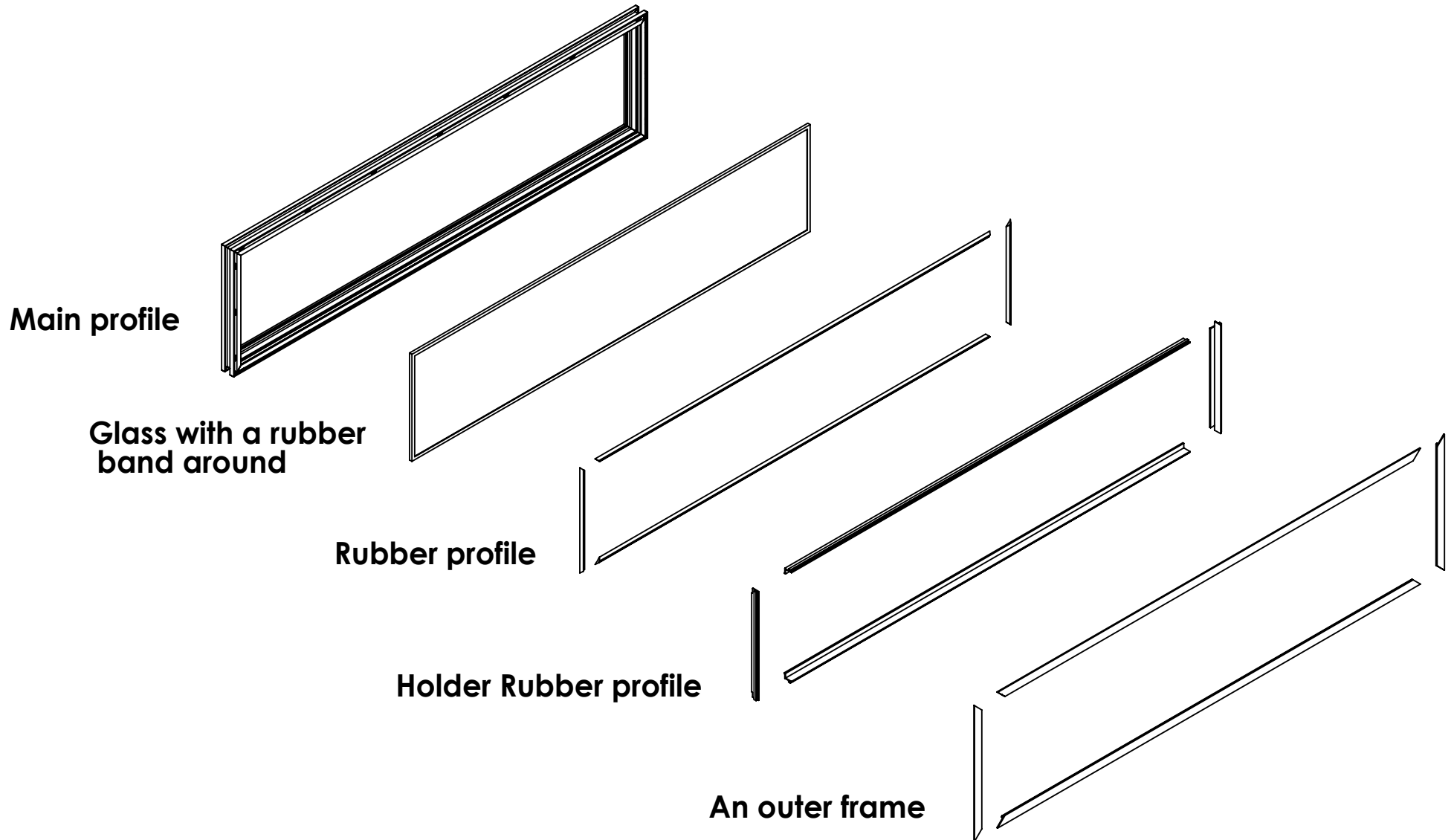
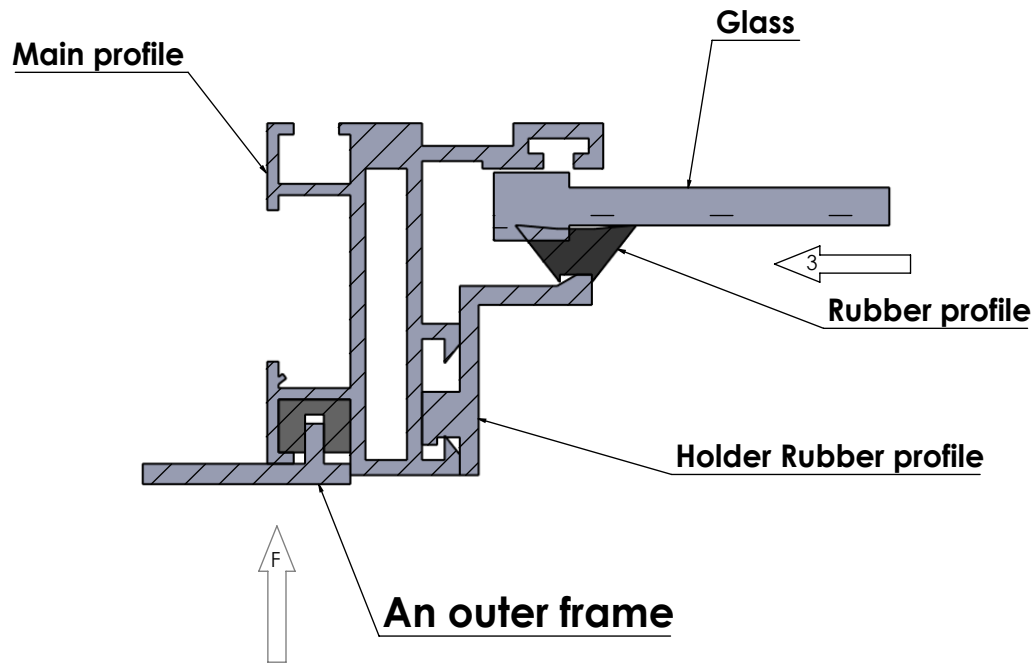
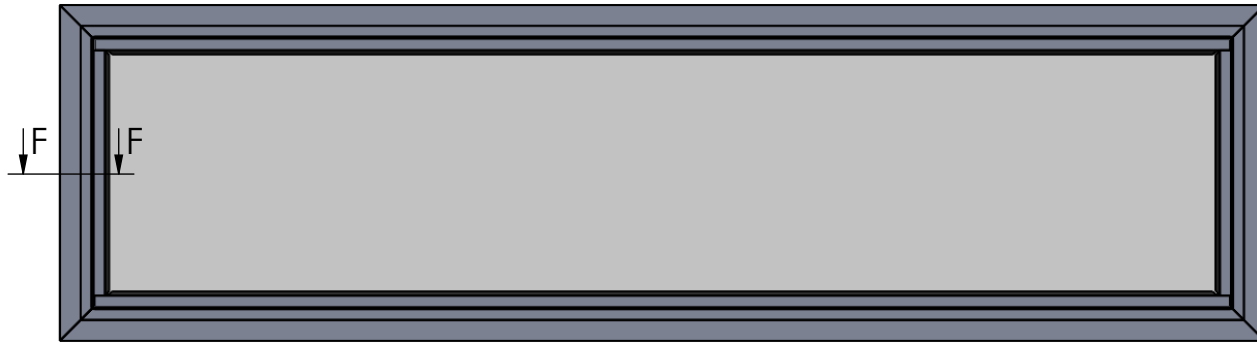


**Window :**  
for tunnel inside -outside  
Assembly instructions







SECTION F-F  
SCALE 1 : 1

**NOTES:**

To Disassemble the glass

A - Remove the rubber(Start from corners).

B - Remove the holder rubber profile

Glass assembly

C - Insert the glass to the place.

D - Insert the holder rubber profile.

E - Insert the rubber.

1-Put the rubber against the glass.

2-Note that the rubber is in its place.

3-Push the rubber to its place

F - The outer frame can unwind by pulling