

tunnel - Fireplace

Fireplace Sleeve \ Indoor

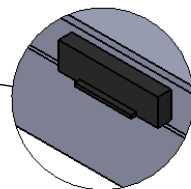
Outside wall

Window Sleeve \ Outdoor

Window

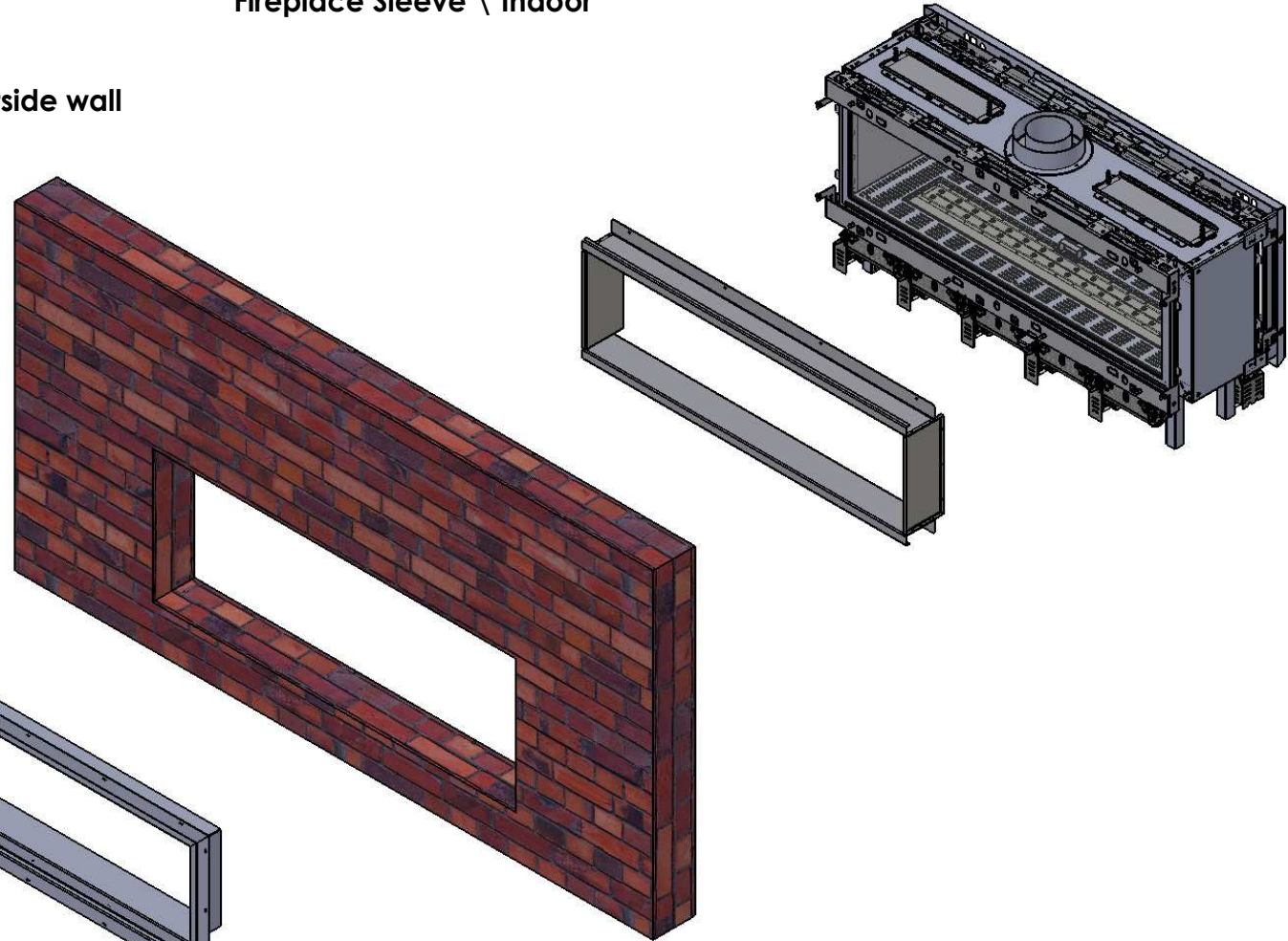
Water drainage

**Note that the
drainage water
should consist Down**
|||||



DETAIL K
SCALE 1 : 2

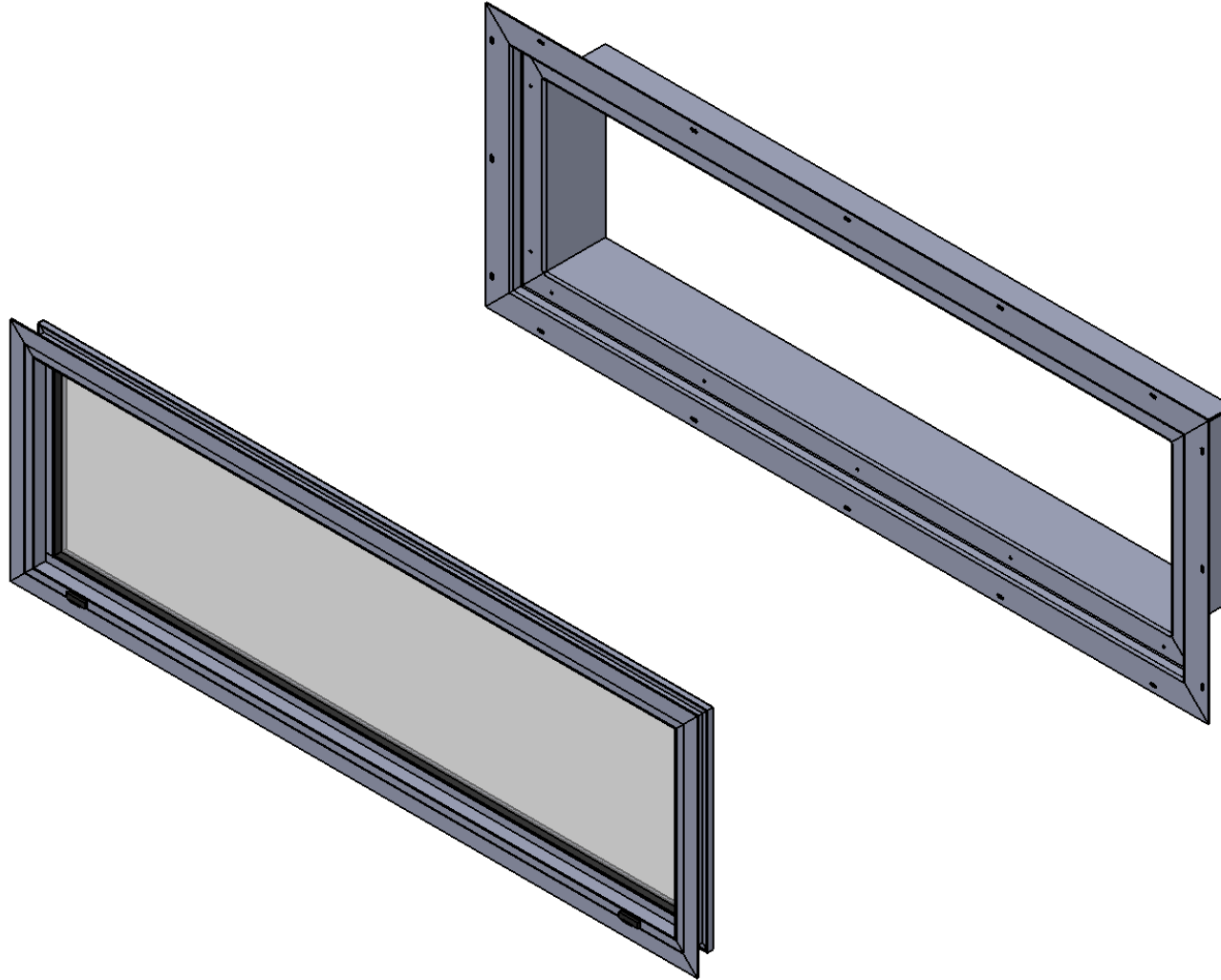
130 TUNNEL INSIDE-OUTSIDE

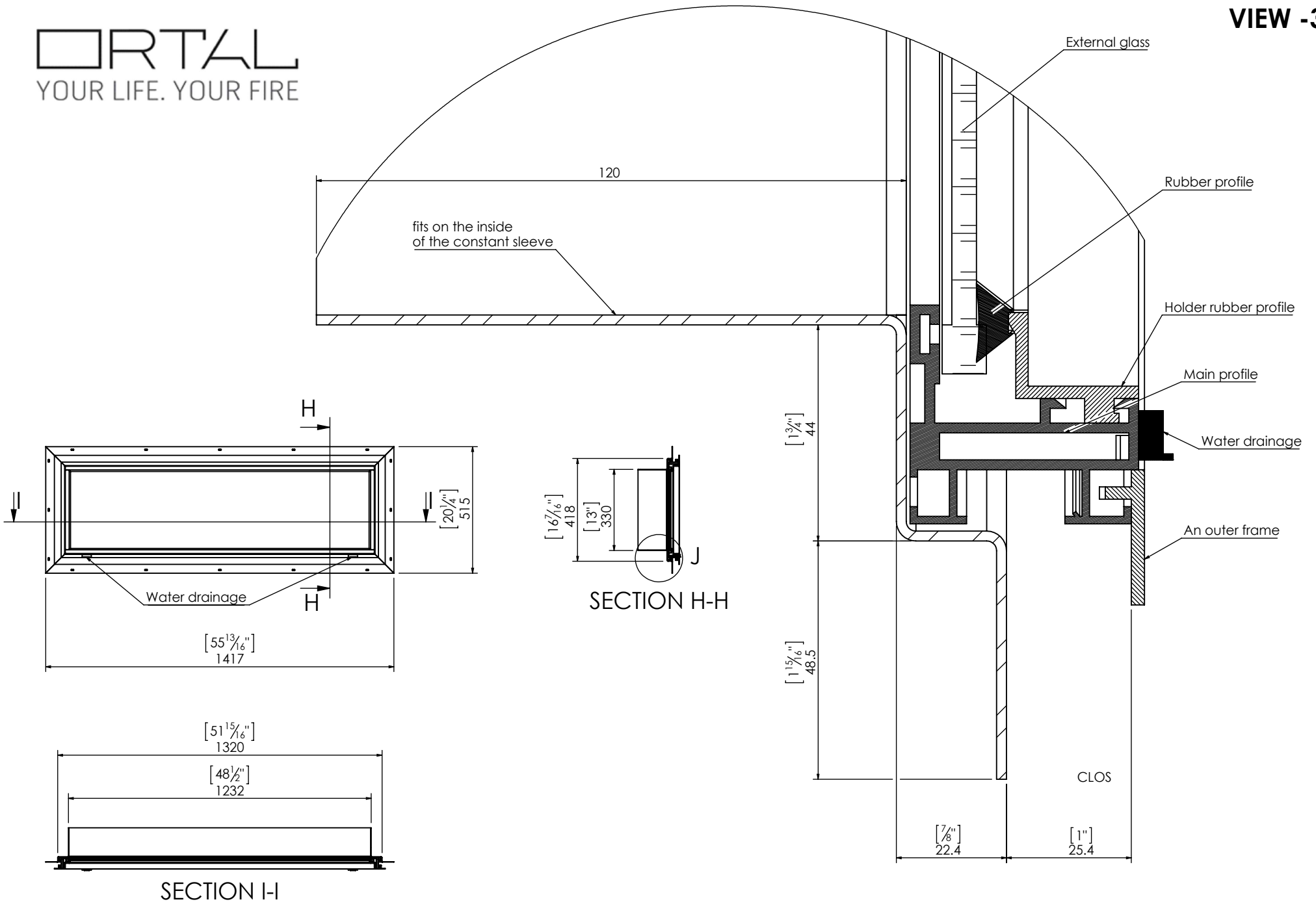


**The window and the out window
supplied connecting.**

Window Sleeve \ Outdoor

Window

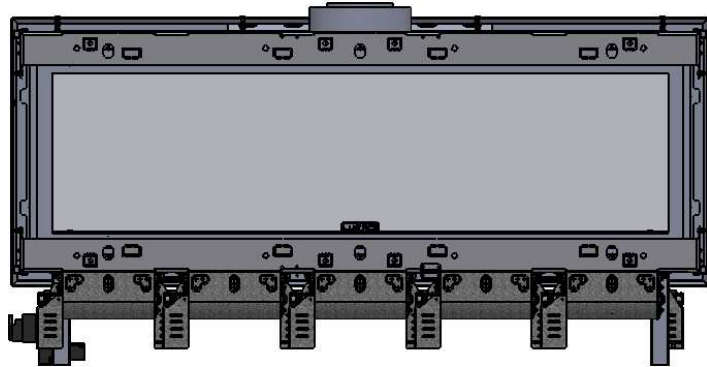




DETAIL J
SCALE 1 : 1

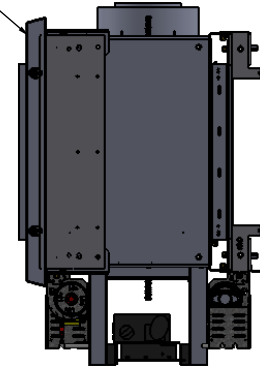
130 TUNNEL INSIDE-OUTSIDE

Fireplace



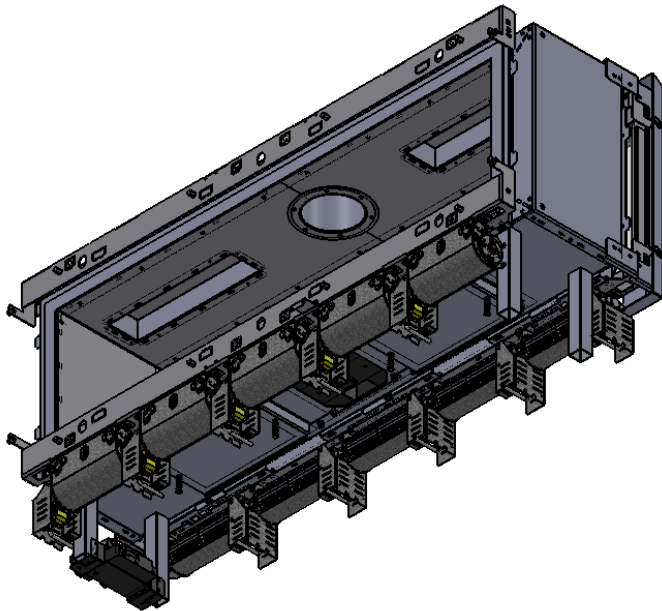
Frame

Inside house



There is no frame on the outside

Outside



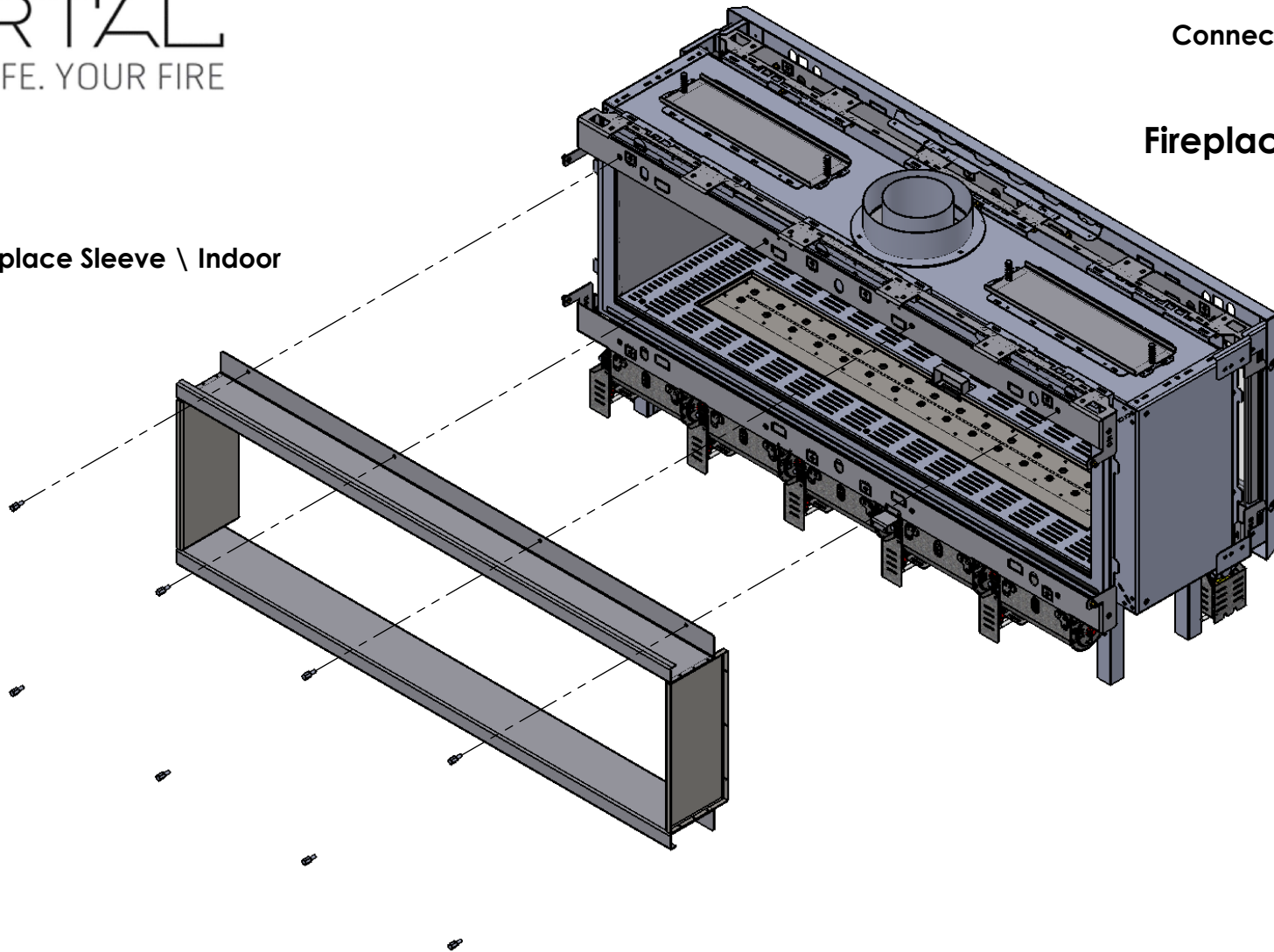
130 TUNNEL INSIDE-OUTSIDE

STEP-1

Connect sleeve to fireplace

Fireplace

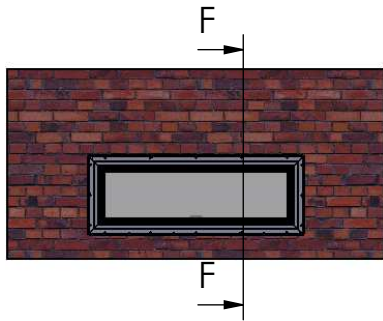
Fireplace Sleeve \ Indoor



**Affix indoor frame to fireplace and connect with screw
(at the place of the rail holder glass)
Before putting the fireplace in the place.**

19/04/2017

130 TUNNEL INSIDE-OUTSIDE



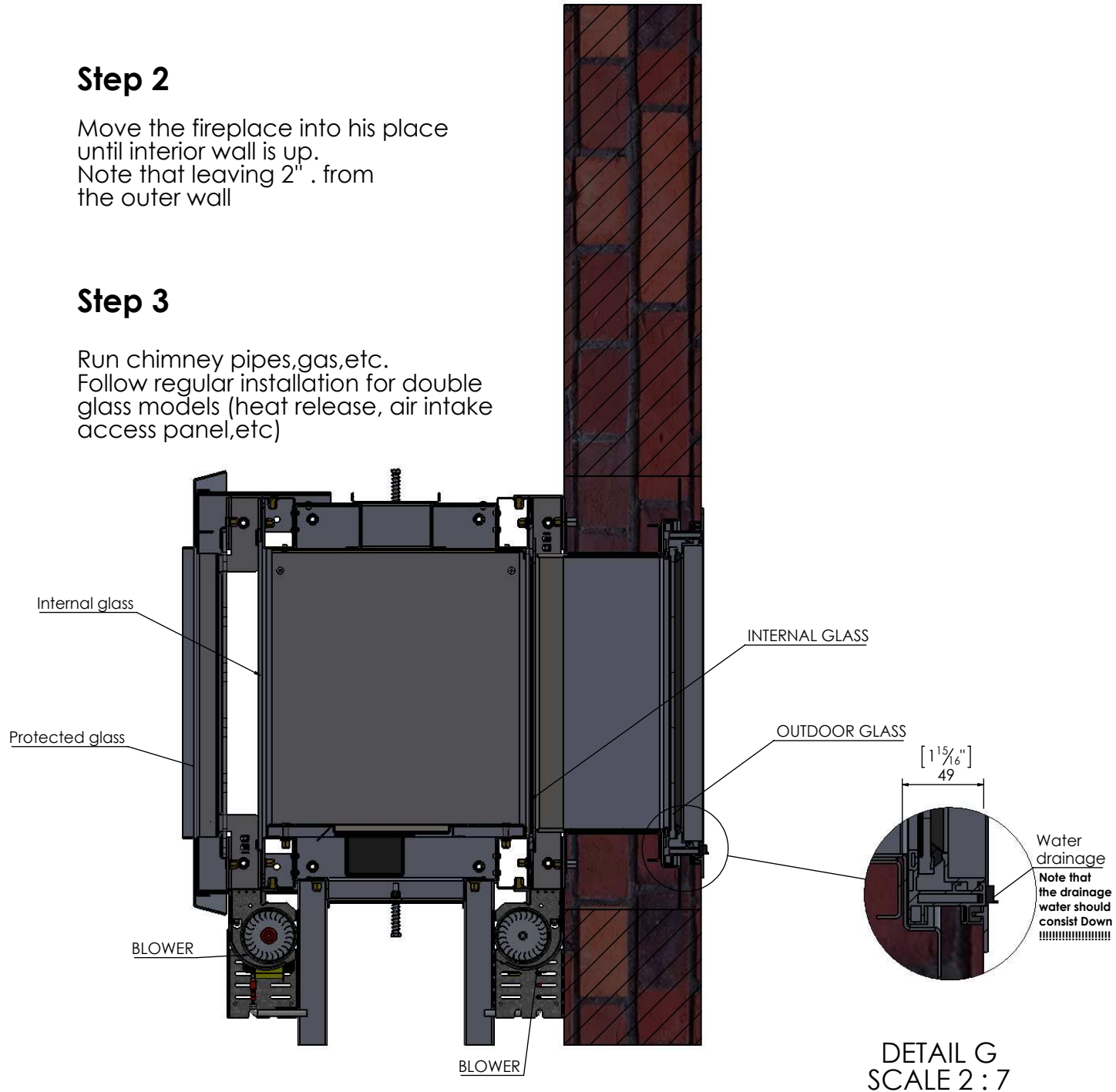
Step 2

Move the fireplace into his place until interior wall is up. Note that leaving 2" . from the outer wall

Step 3

Run chimney pipes, gas, etc. Follow regular installation for double glass models (heat release, air intake access panel, etc)

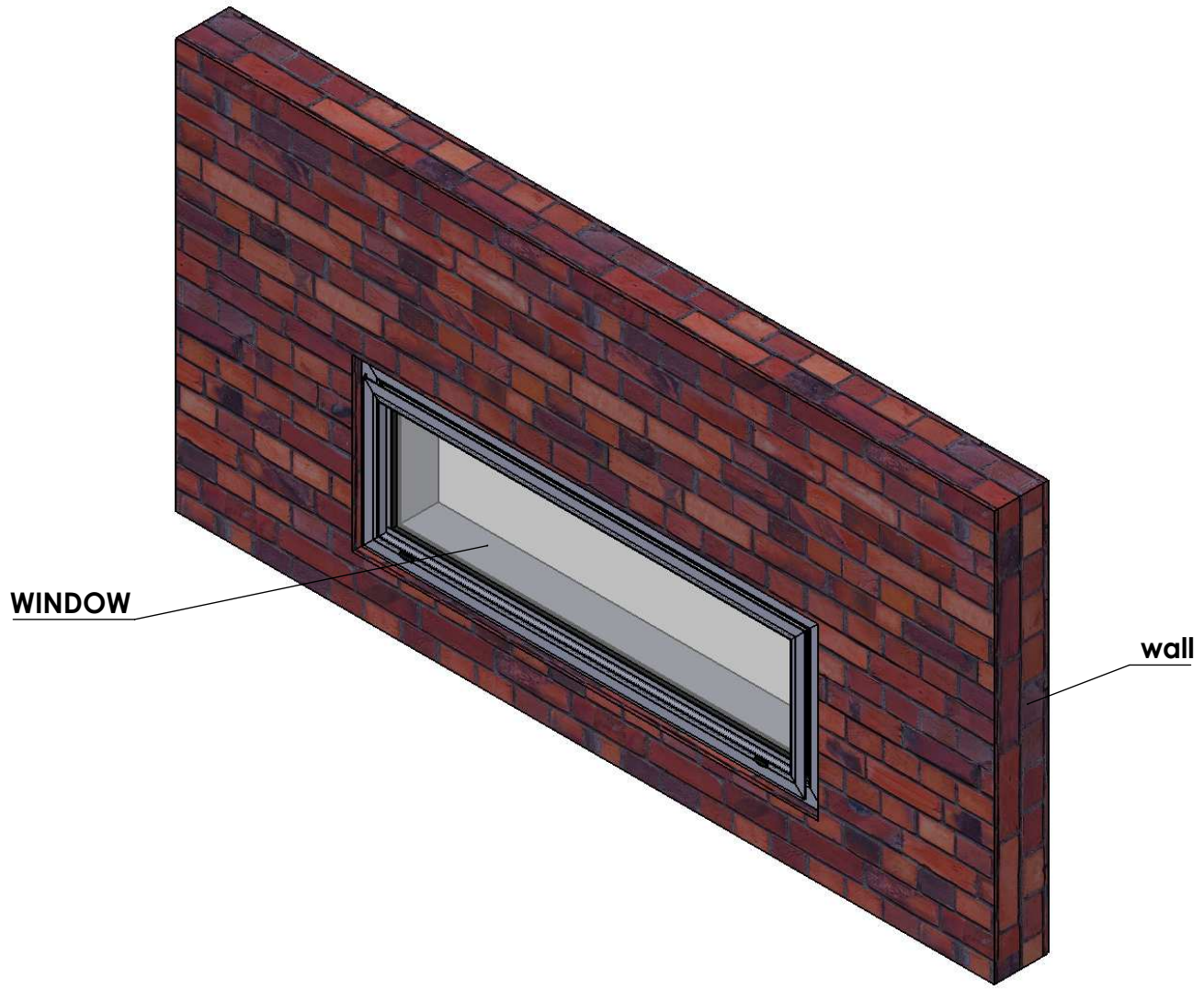
NOTE:
Internal glass of the firebox facing outside is to be removed and serviced through the interior of the firebox. All servicing is to be done from the interior of the home. Do not attempt to open/remove the window make break the seal and allow rain or other conditions to seep through and affect the firebox.



SECTION F-F
SCALE 1 : 7

130 TUNNEL INSIDE-OUTSIDE

Connect window to wall



insert and connect window to wall opening. Make sure to seal window per local code to eliminate water or other elements from leaking into the home. This is to be treated as a typical installing.

19/04/2017

130 TUNNEL INSIDE-OUTSIDE