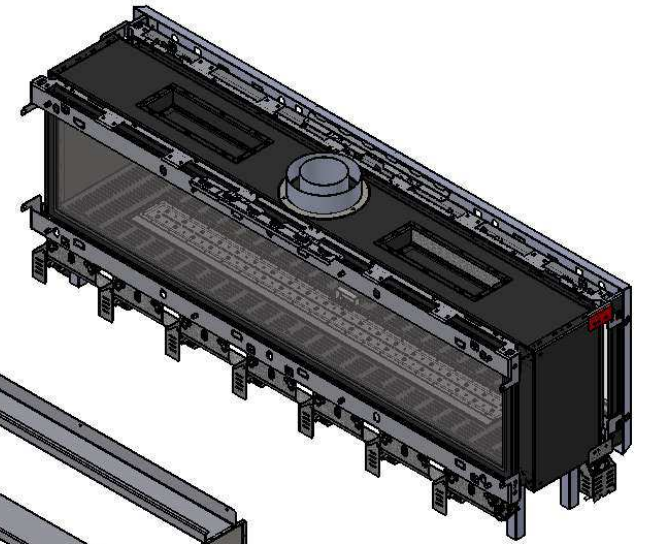


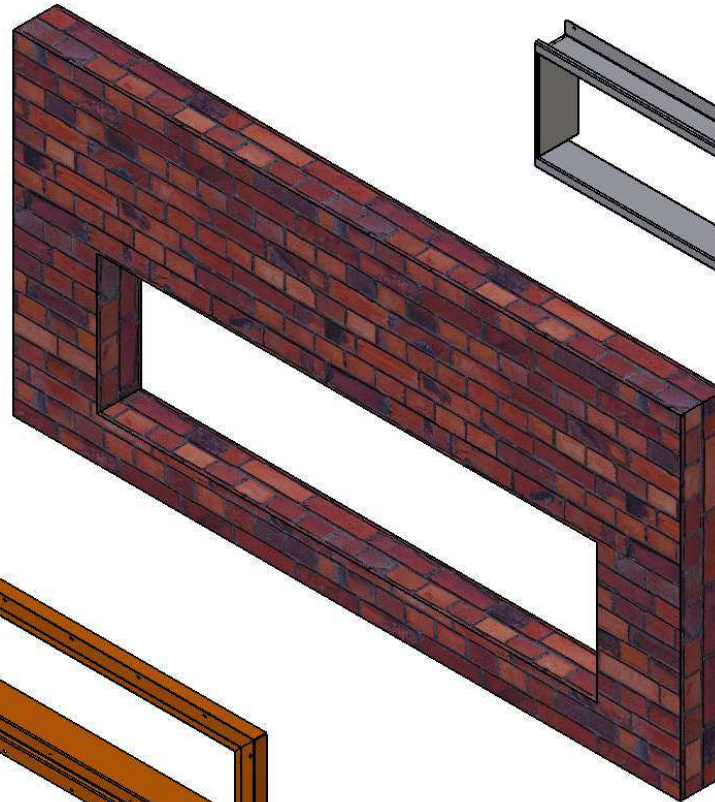
**tunnel - Fireplace**



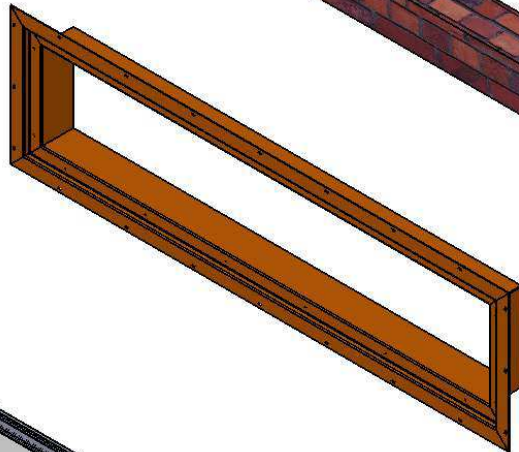
**Fireplace Sleeve \ Indoor**



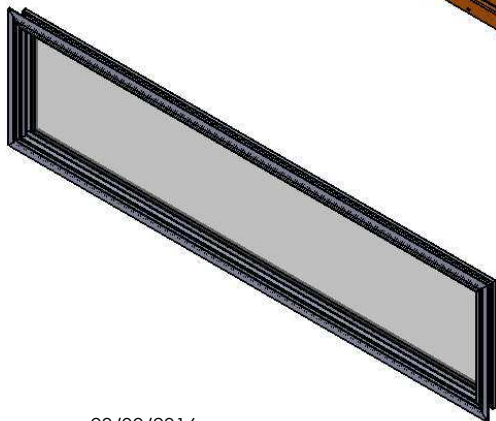
**Outside wall**



**Window Sleeve \ Outdoor**



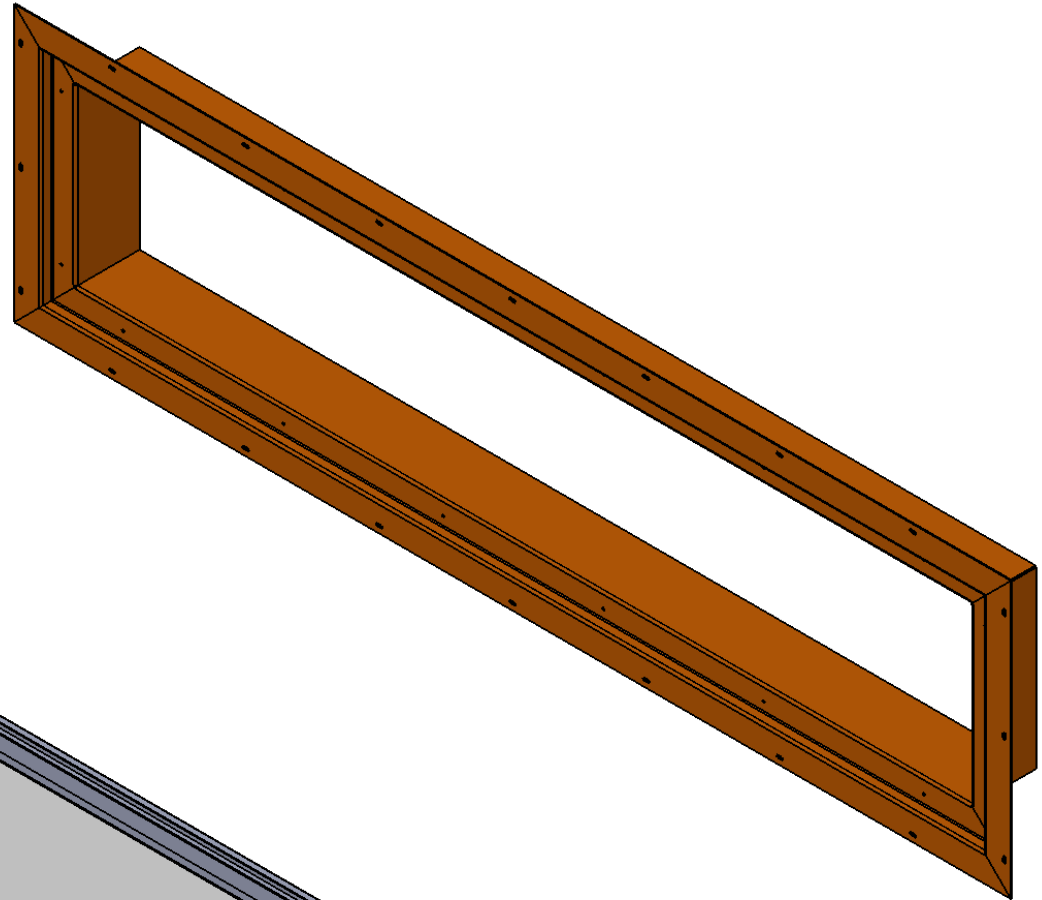
**Window**



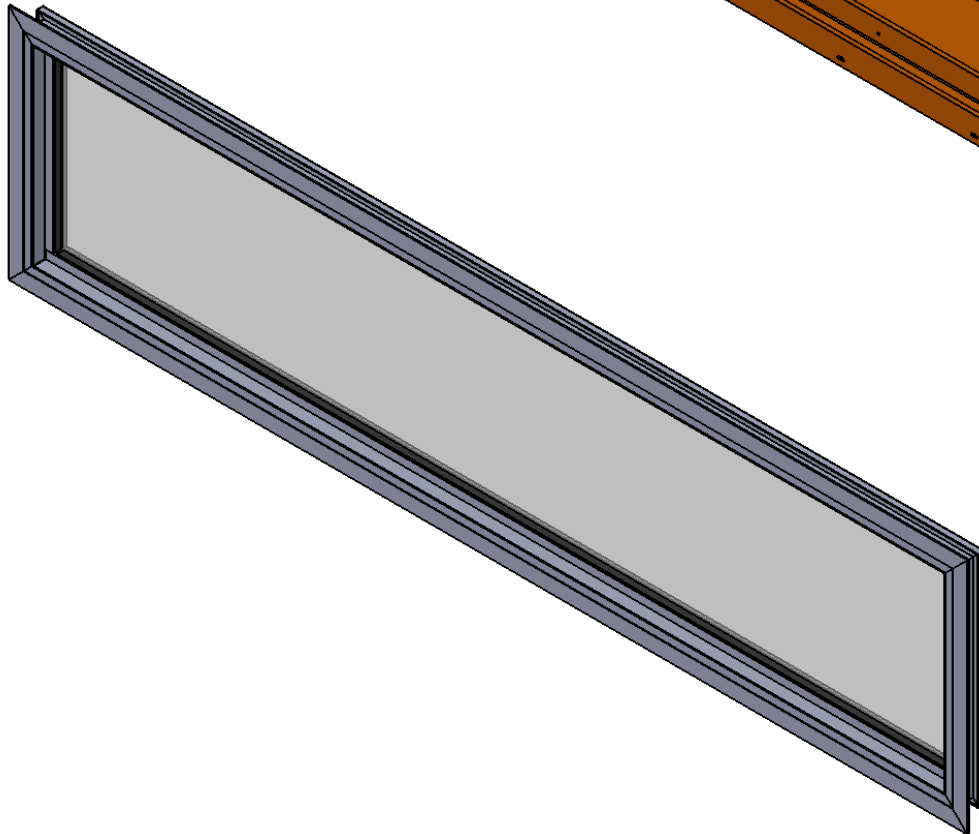
**170 TUNNEL INSIDE-OUTSIDE**

# The window and the out window supplied connecting.

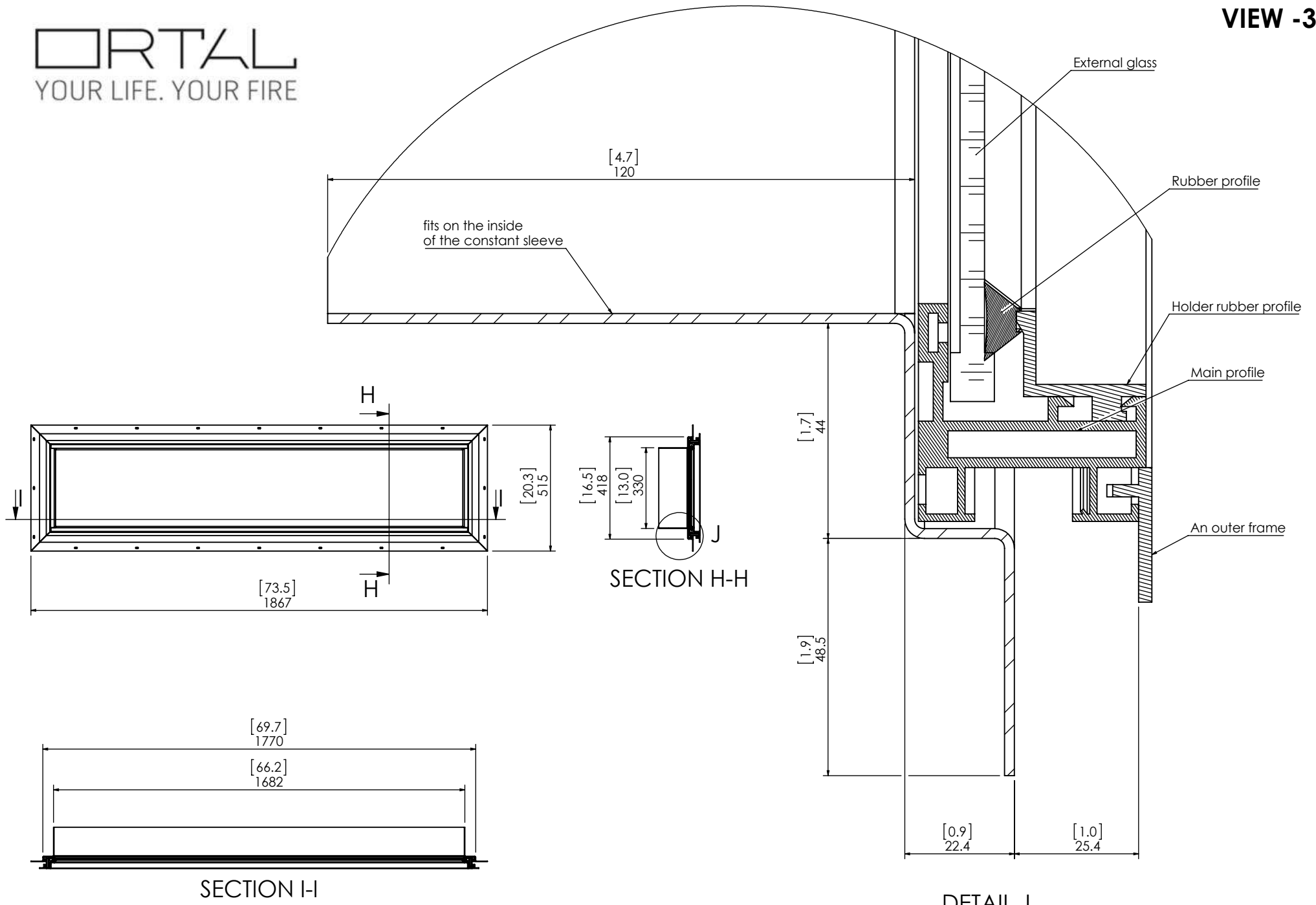
Window Sleeve \ Outdoor



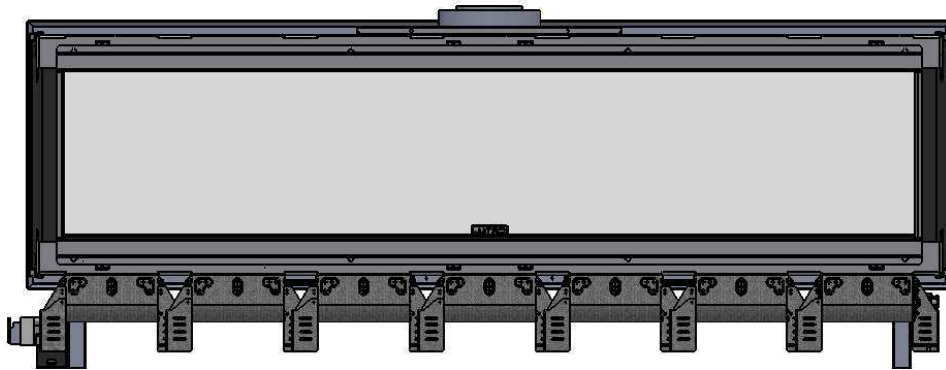
Window



**170 TUNNEL INSIDE-OUTSIDE**



**Fireplace**

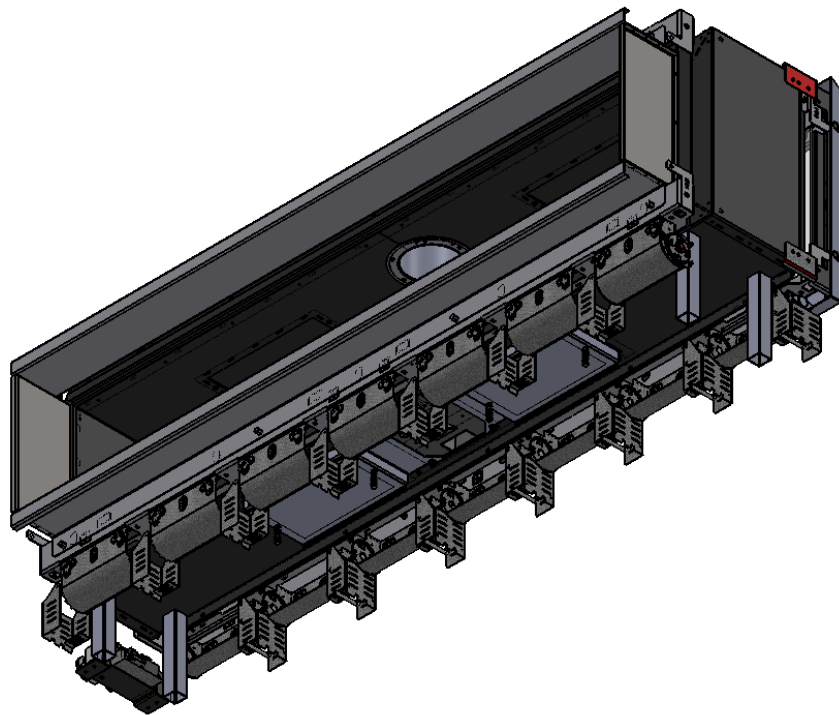
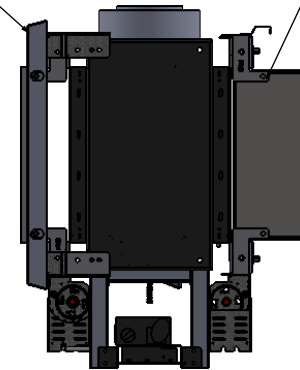


**Frame**

**Inside house**

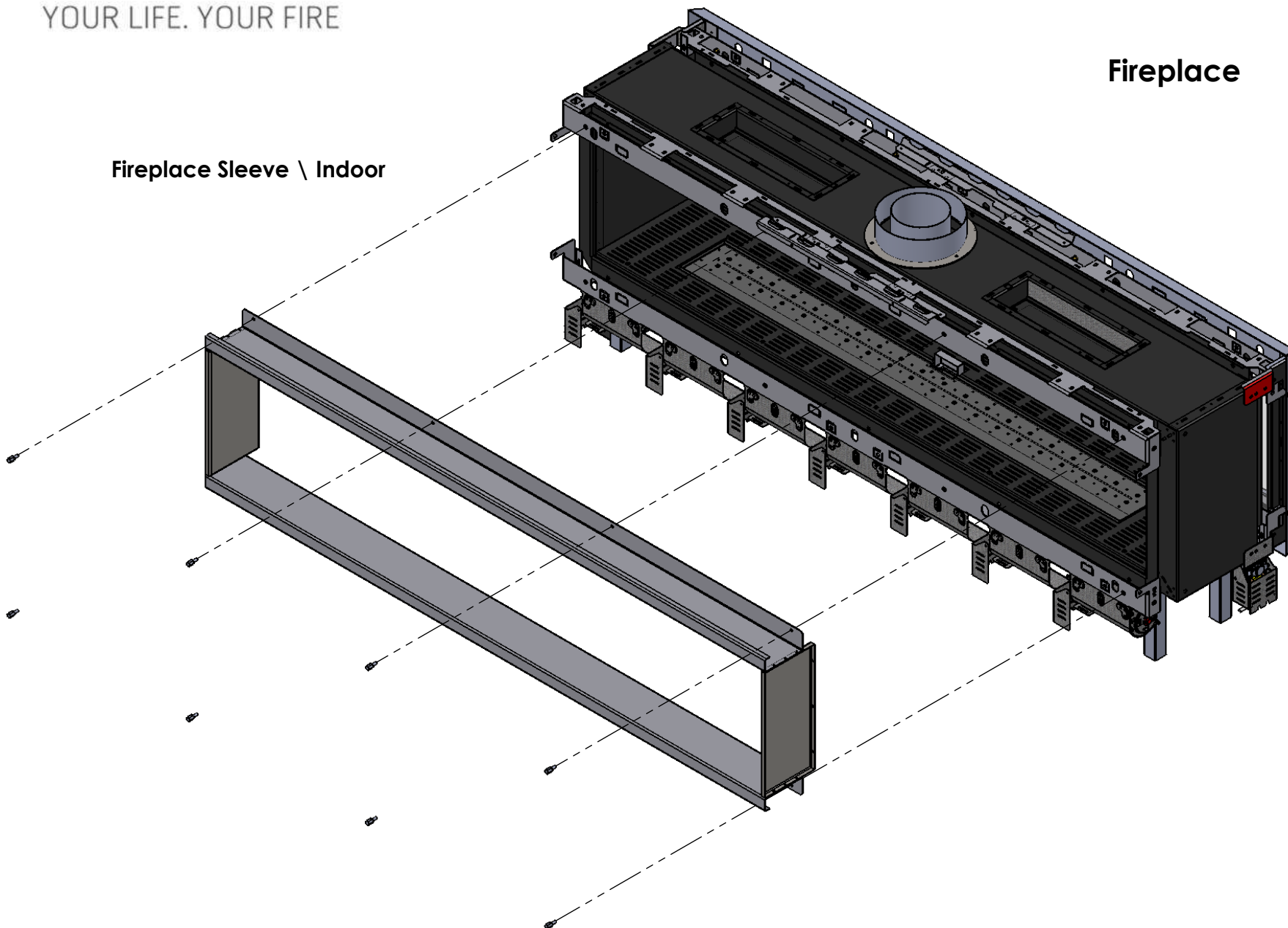
**There is no frame on the outside**

**Outside**

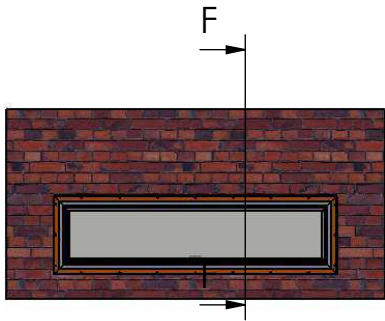


**Fireplace**

**Fireplace Sleeve \ Indoor**



**Affix indoor frame to fireplace and connect with screw  
(at the place of the rail holder glass)  
Before putting the fireplace in the place.**



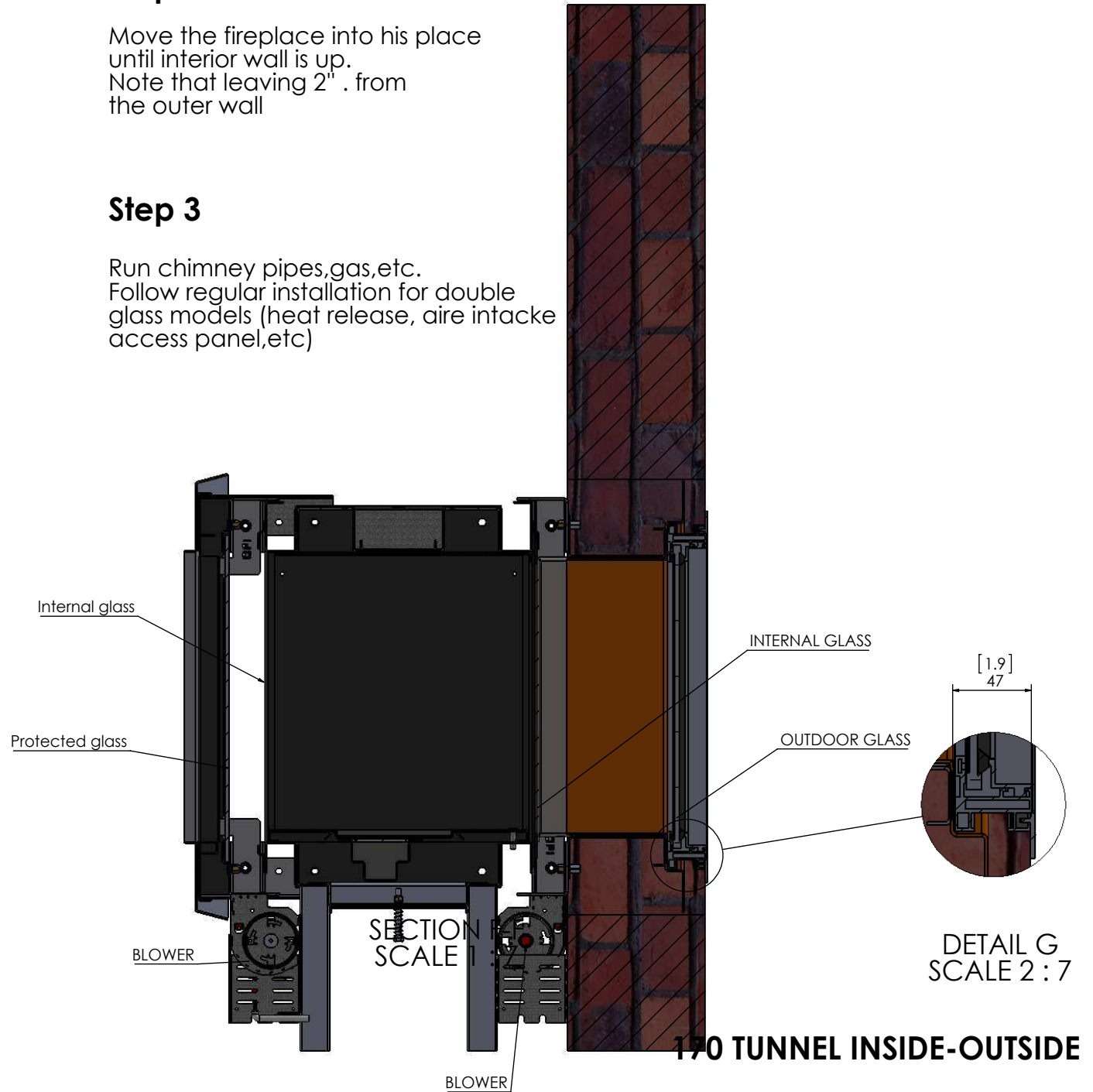
### Step 2

Move the fireplace into his place until interior wall is up. Note that leaving 2" . from the outer wall

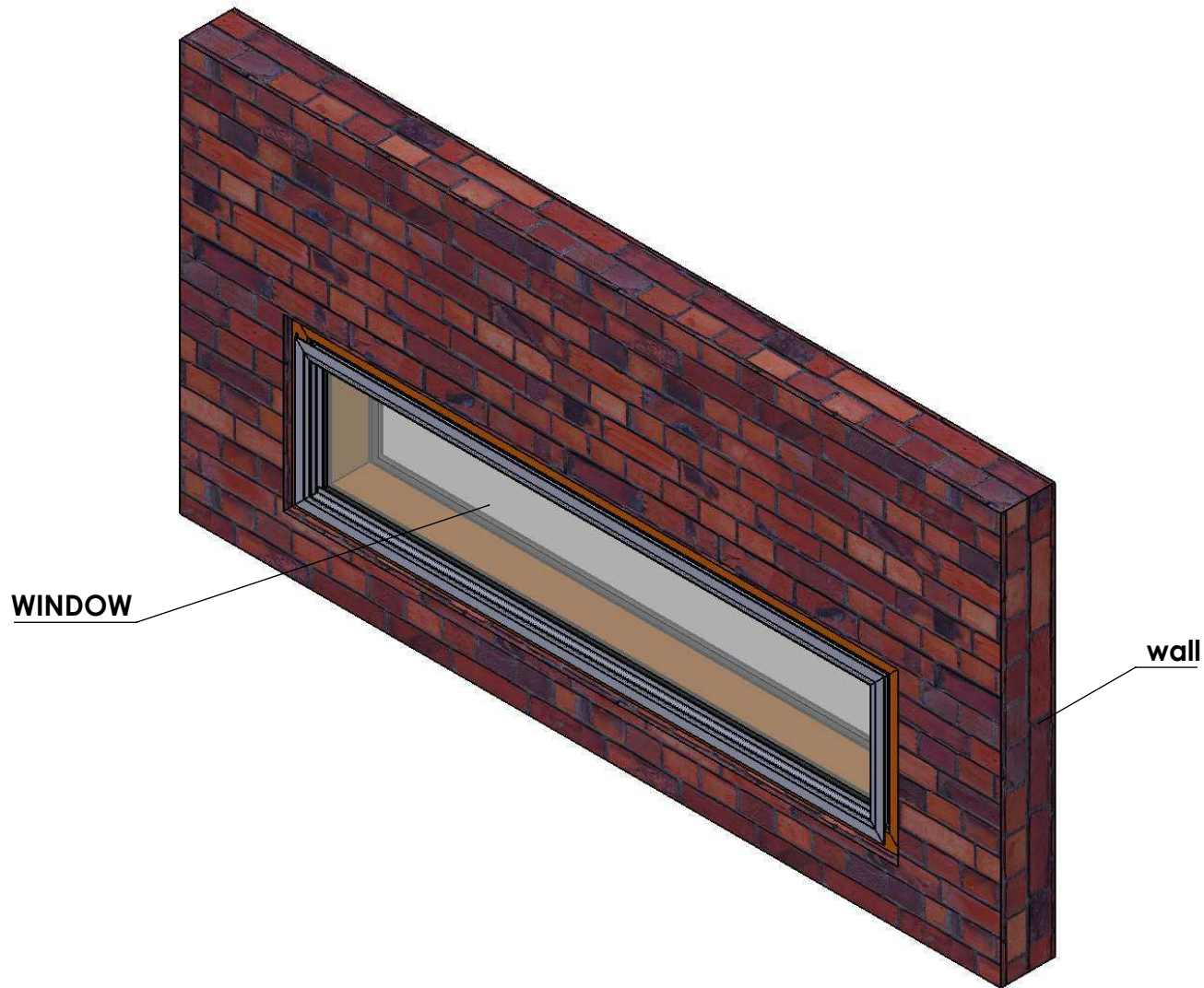
### Step 3

Run chimney pipes,gas,etc. Follow regular installation for double glass models (heat release, aire intake access panel,etc)

**NOTE:**  
Internal glass of the firebox facing outside is to be removed and serviced through the interior of the firebox. All servicing is to be done from the interior of the home. Do not attempt to open/remove the window mack break the seal and allow rain or other conditions to seep through and affect the firebox.



**Connect window to wall**



**insert and connect window to wall opening. Mack sure to seal window per local code to eliminate water or other elements from leaking into the home . This is to be treated as a typical installion.**

28/09/2016

**170 TUNNEL INSIDE-OUTSIDE**