

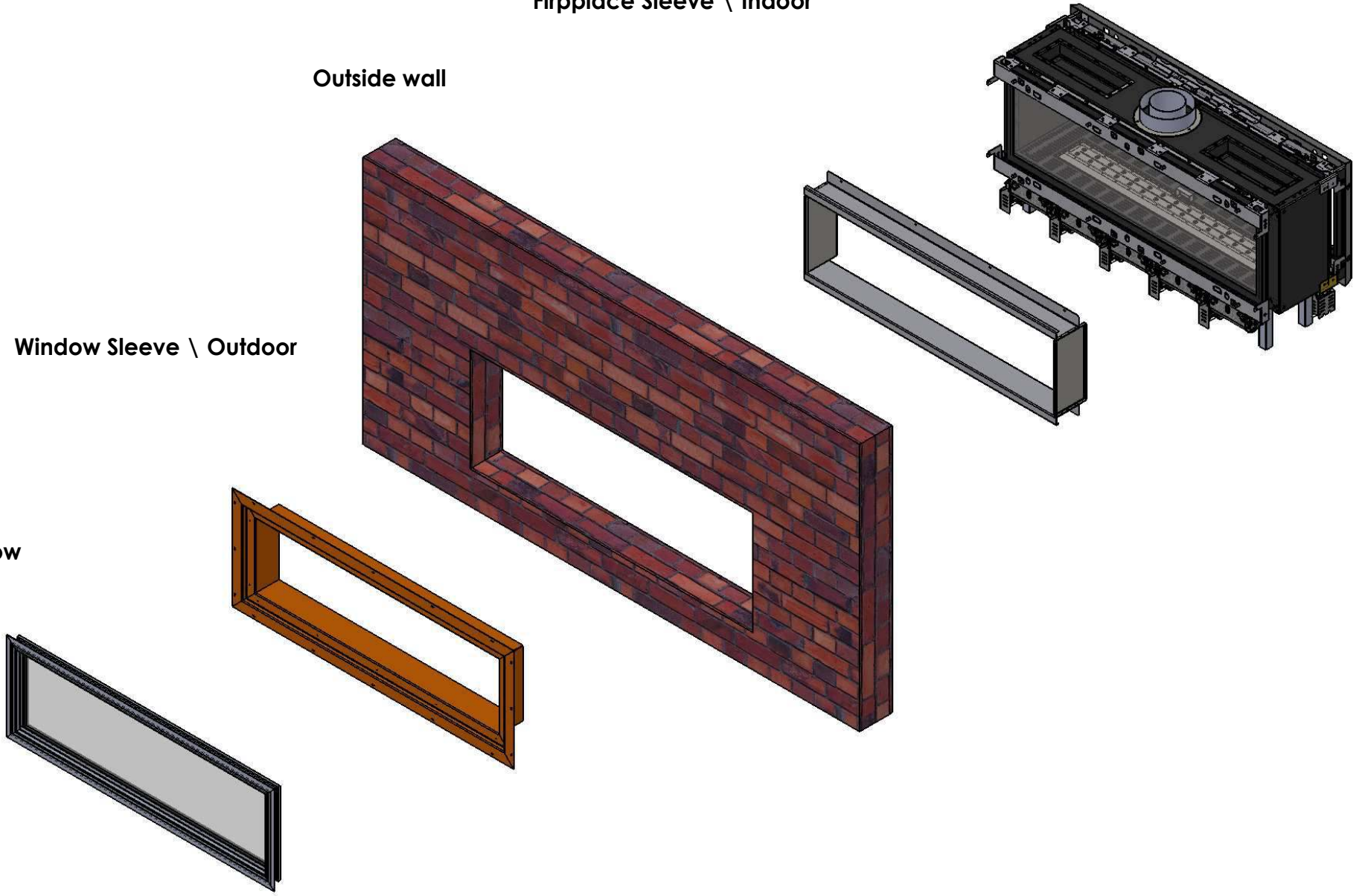
tunel - Fire place

Firplace Sleeve \ Indoor

Outside wall

Window Sleeve \ Outdoor

Window

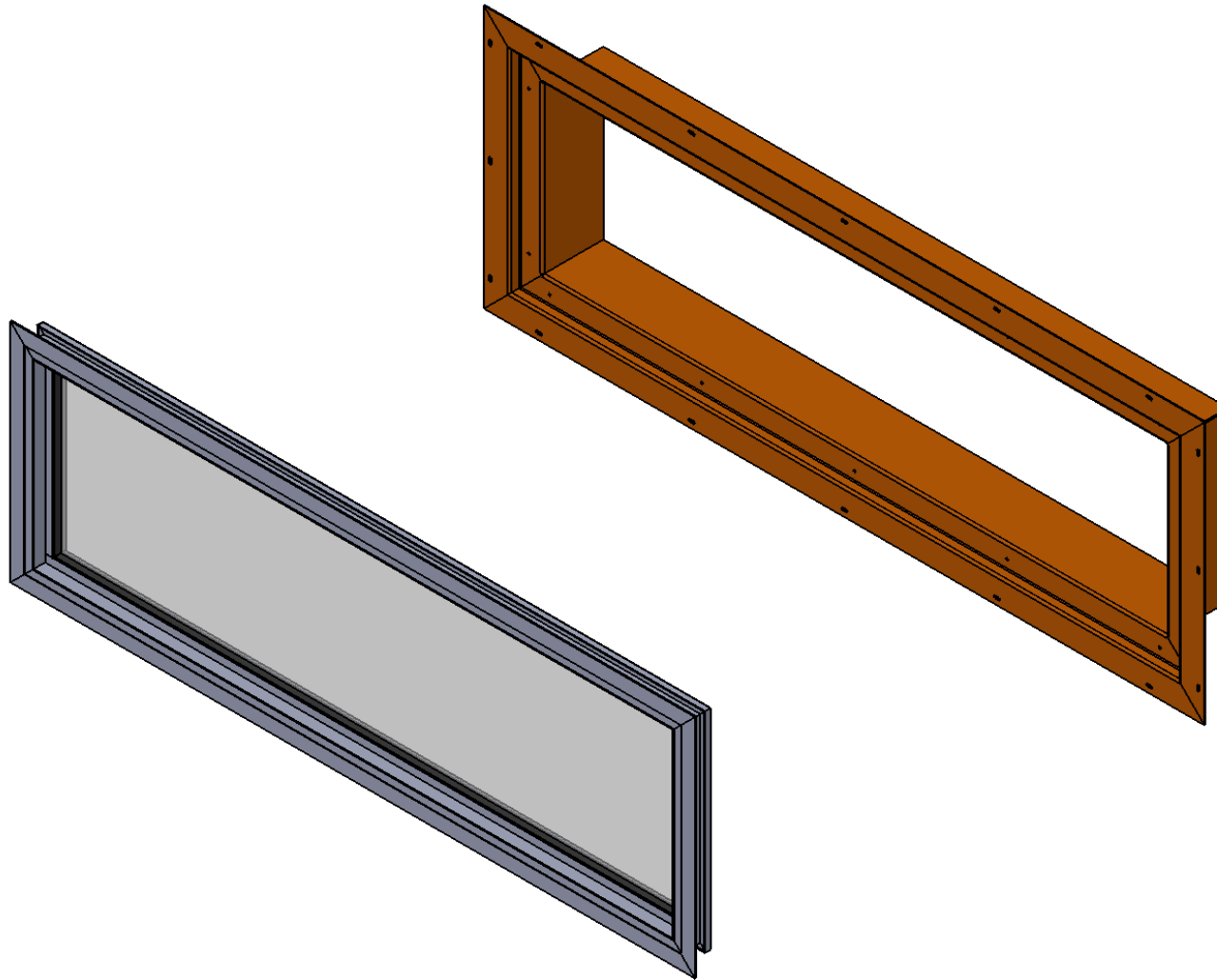


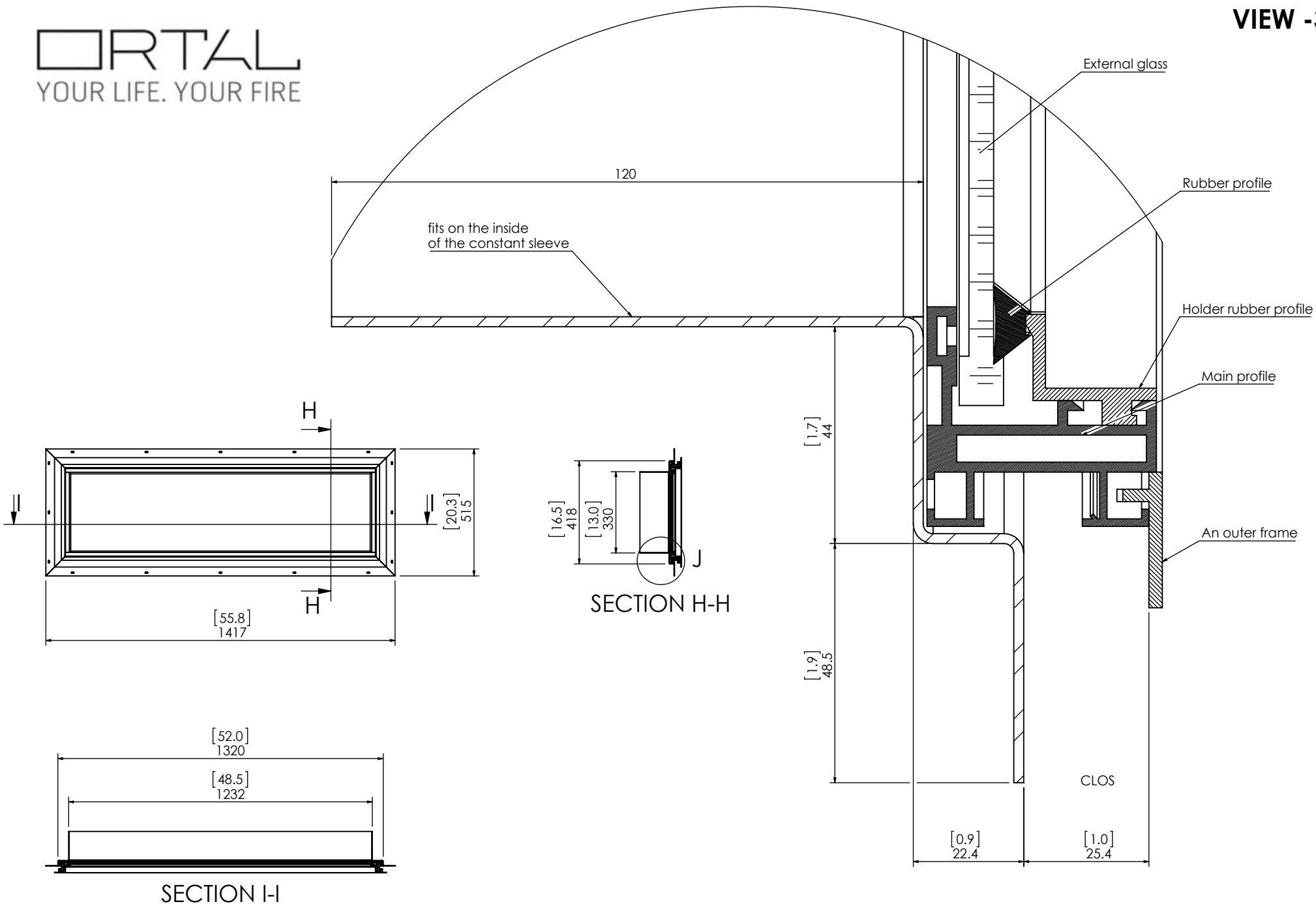
130 TUNEL INSIDE-OUTSIDE

**The window and the out window
supplied connecting.**

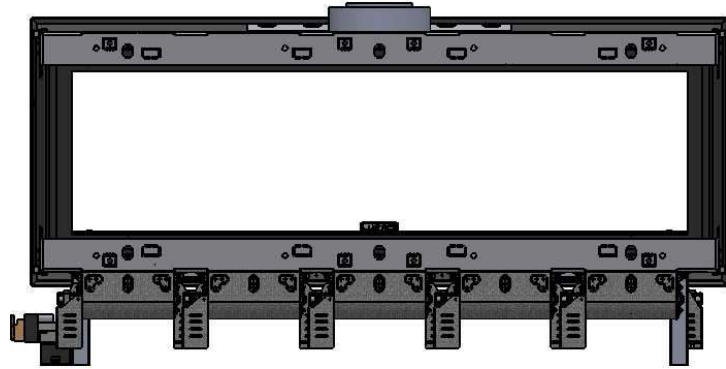
Window Sleeve \ Outdoor

Window





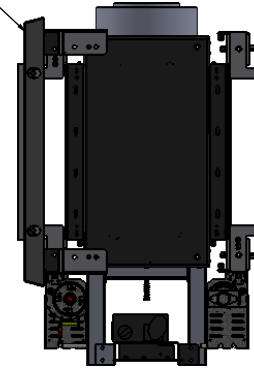
Firplace



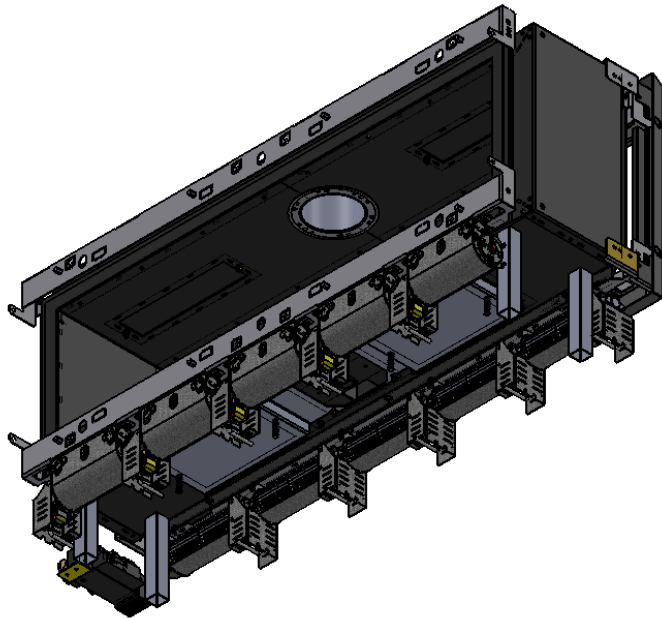
Frame

**Inside
house**

**There is no frame
on the outside**



Outside

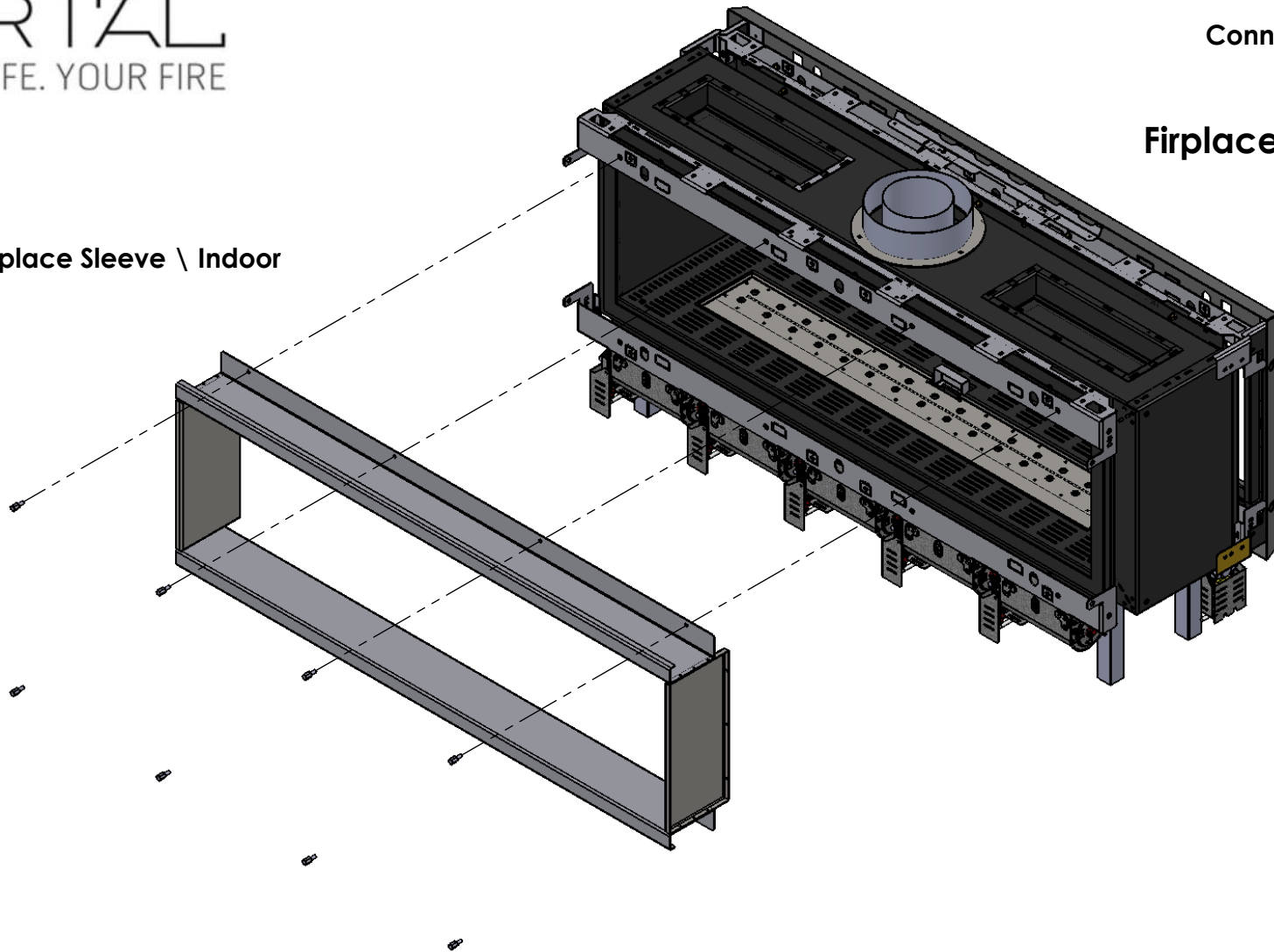


STEP-1

Connect sleeve to firplac

Firplace Sleeve \ Indoor

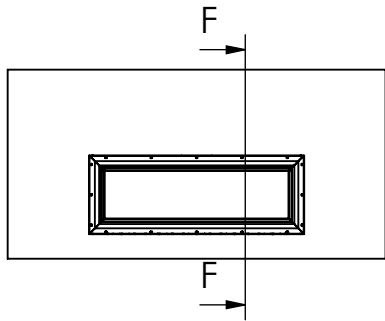
Firplace



**Affix indoor frame to fireplace and connect with screw
(at the place of the rail holder glass)
Before putting the fireplace in the place.**

27/09/2016

130 TUNEL INSIDE-OUTSIDE



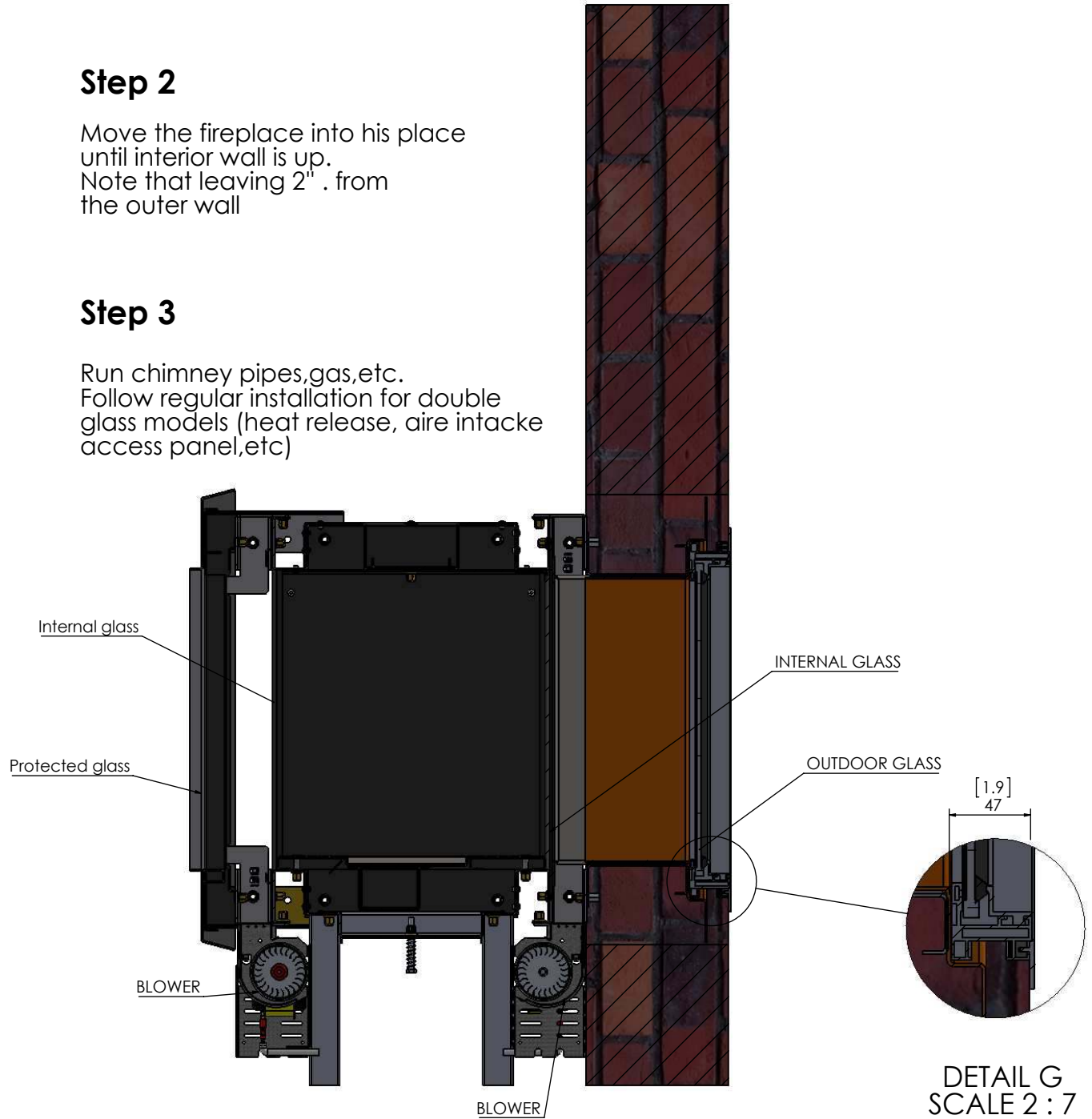
Step 2

Move the fireplace into his place until interior wall is up. Note that leaving 2" . from the outer wall

Step 3

Run chimney pipes,gas,etc. Follow regular installation for double glass models (heat release, aire intake access panel,etc)

NOTE:
Internal glass of the firebox facing outside is to be removed and serviced through the interior of the firebox. All servicing is to be done from the interior of the home. Do not attempt to open/remove the window mack break the seal and allow rain or other conditions to seep through and affect the firebox.

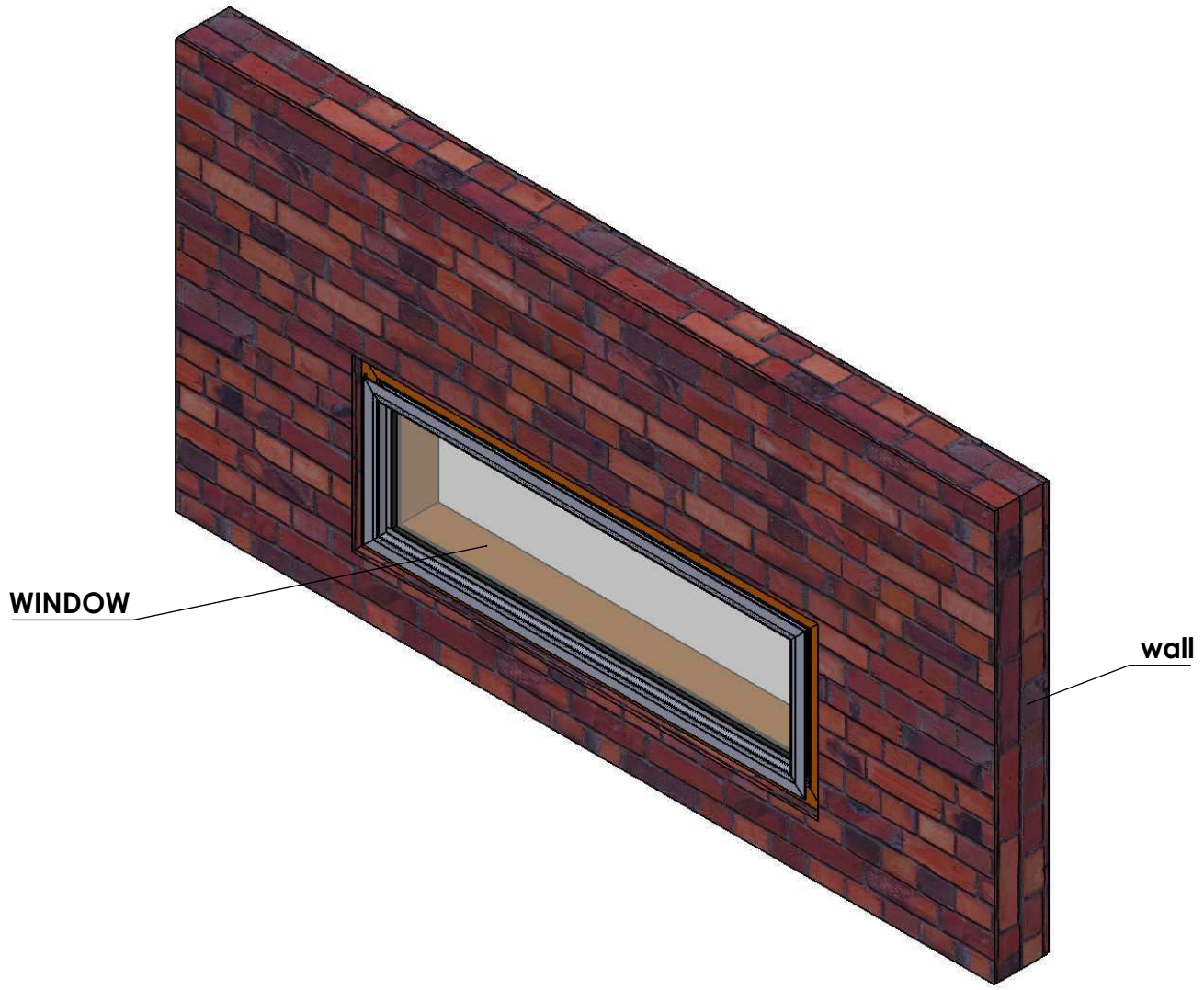


DETAIL G
SCALE 2 : 7

SECTION F-F
SCALE 1 : 7

130 TUNEL INSIDE-OUTSIDE

Connect window to wall



insert and connect window to wall opening. Make sure to seal window per local code to eliminate water or other elements from leaking into the home. This is to be treated as a typical installation.

27/09/2016

130 TUNEL INSIDE-OUTSIDE