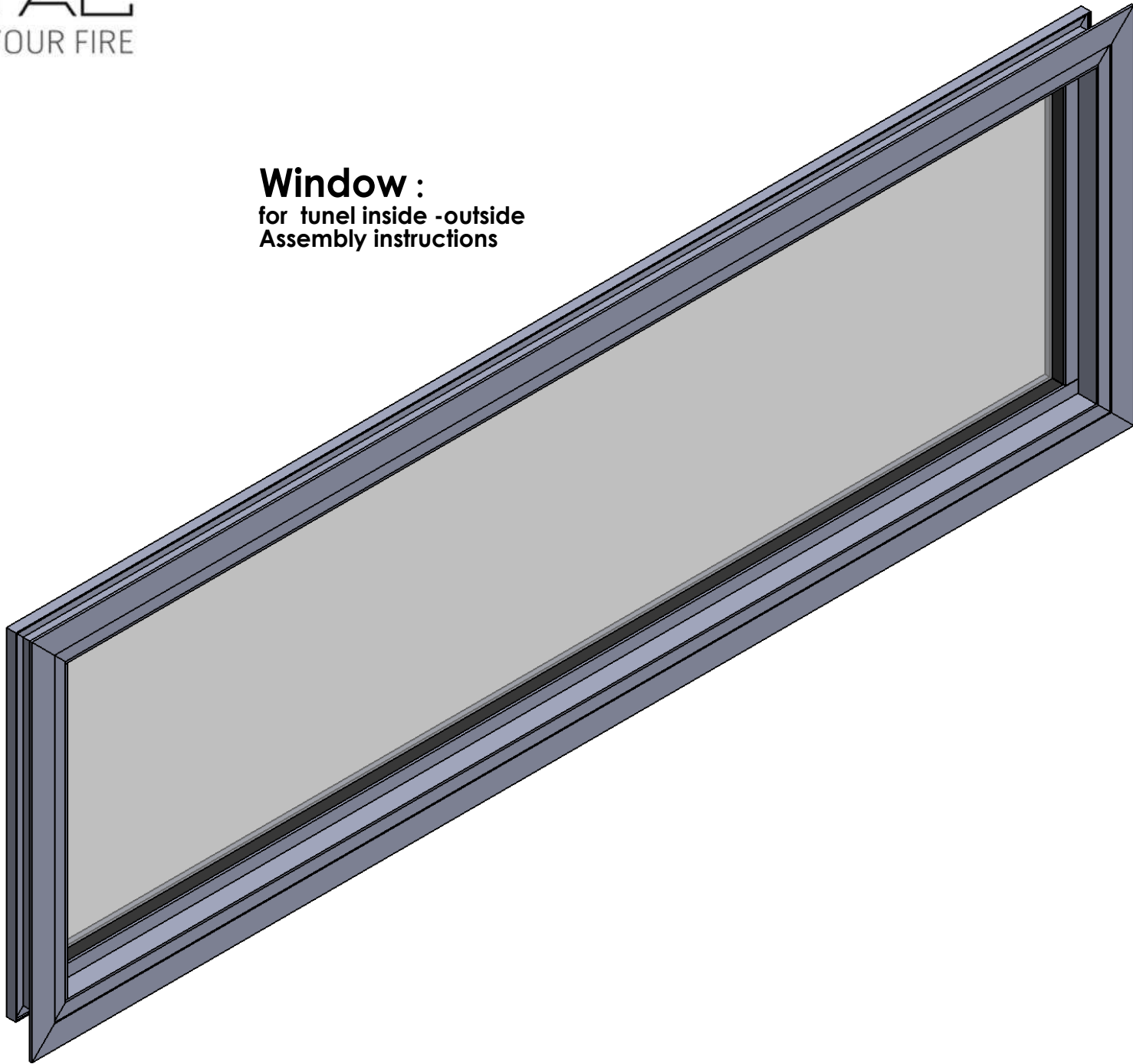
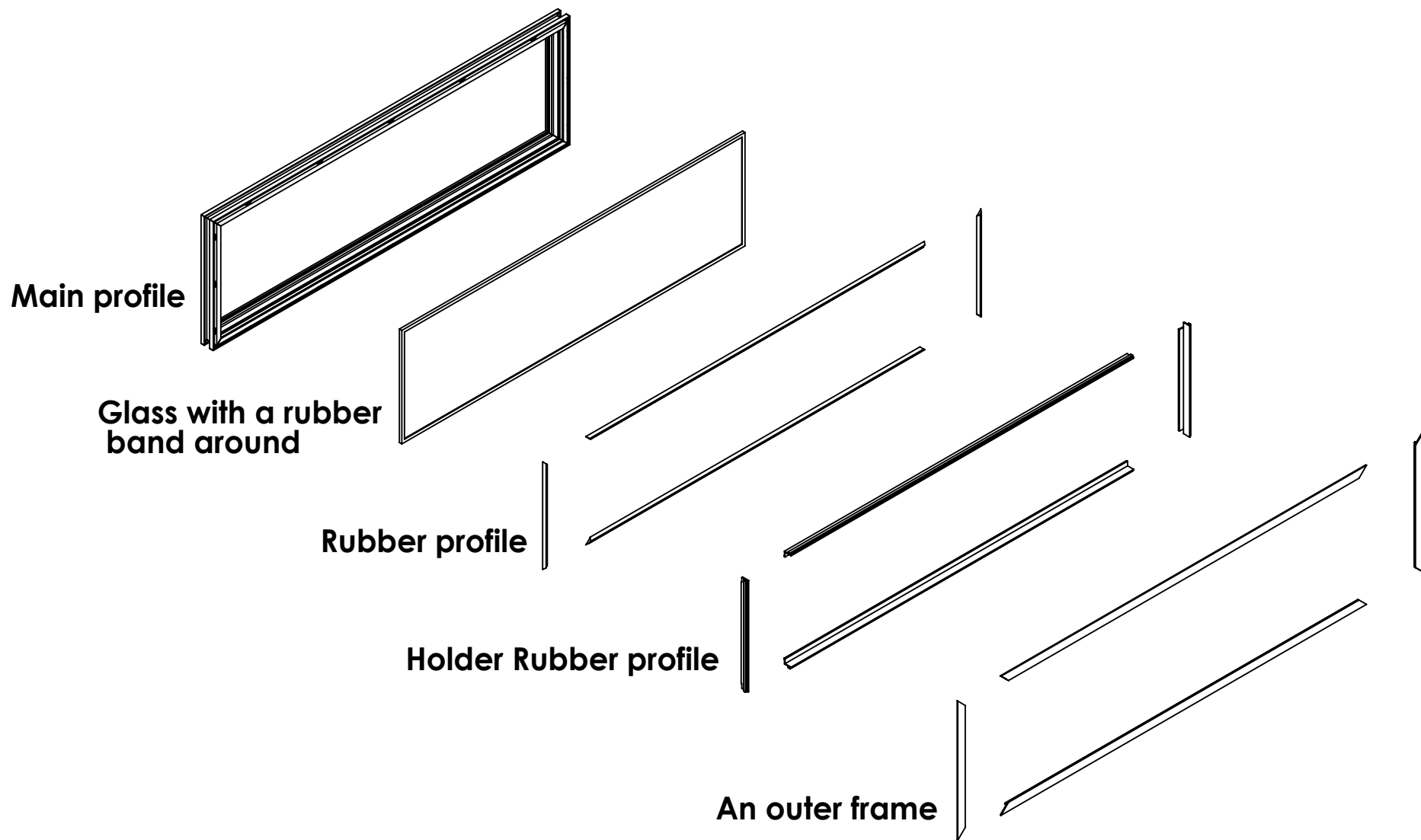
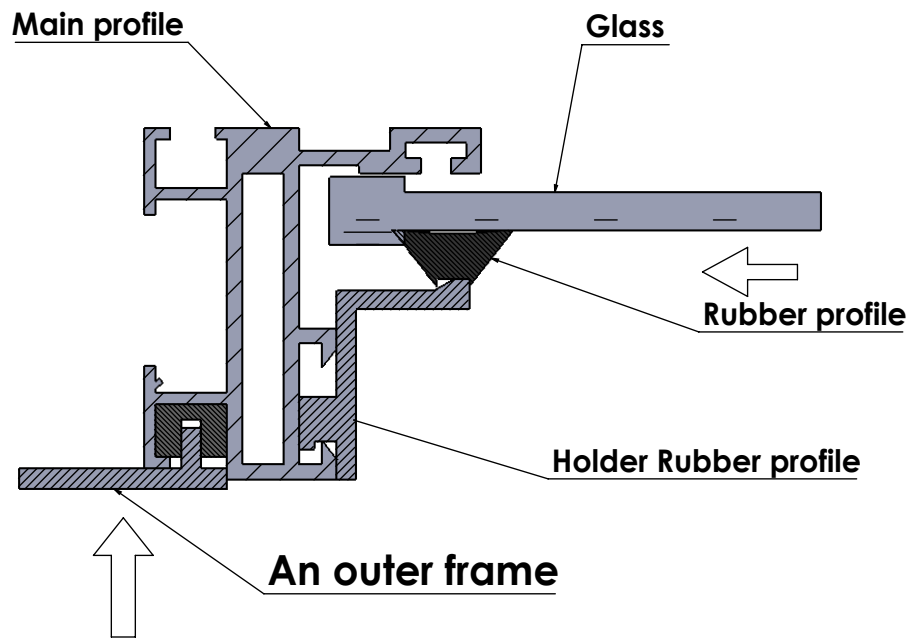
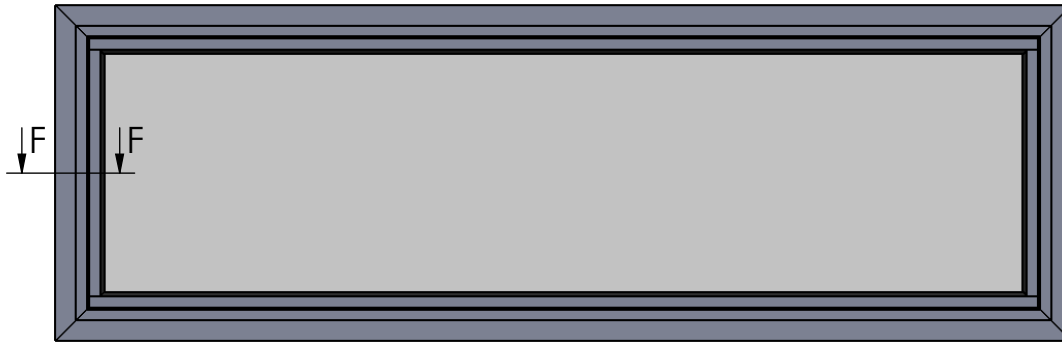


Window :
for tunnel inside -outside
Assembly instructions







SECTION F-F
SCALE 1 : 1

NOTES:

To Disassemble the glass

- A - Remove the rubber(Start from corners).
- B - Remove the holder rubber profile

Glass assembly

- C - Insert the glass to the place.
- D - Insert the holder rubber profile.
- E - Insert the rubber.
 - 1-Put the rubber against the glass.
 - 2-Note that the rubber is in its place.
 - 3-Push the rubber to its place
- F - The outer frame can unwind by pulling